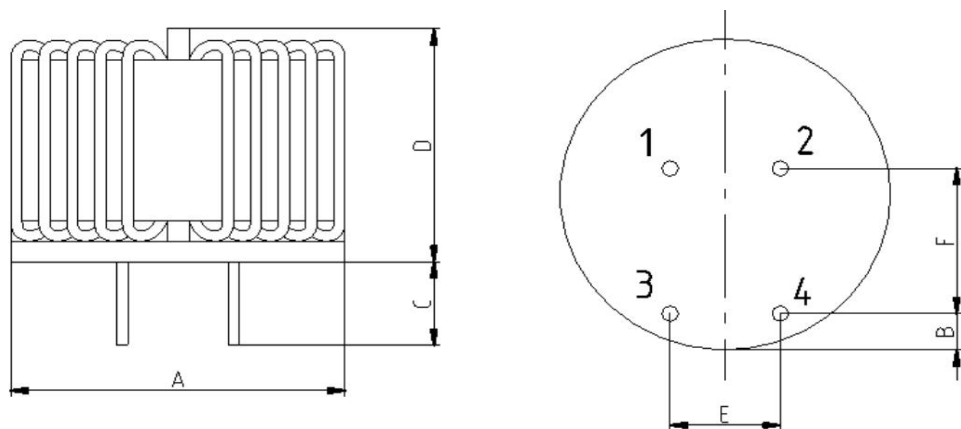


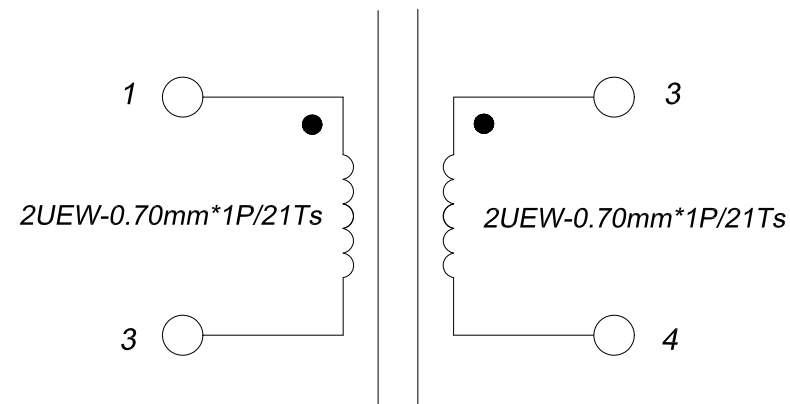
CUSTOMER TERMINAL	ROHS	Lead(Pb)-free
	YES	YES

1.Mechanical Dimensions



SPEC	A	B	C	D	E	F
mm	23	3	7±2.0	13.5	5	10

2.Schematic Diagram



3.Material List

Core:F1505-T17.3*7.9*7.1C
 Wire:2UEW-0.70mm 155 °C
 Base:FR-4
 Epoxy:E-500(black)
 Operating Temperature: -30 to115 °C

4.Electrical Specification

Inductance:L (1-3=2-4)=10mH MIN 10KHz 0.1V

REV. 1.0	DATE 03/28	 Convention Placement	DRW.		Drawing Title: CHOKER	Part No: FWCST181008H103K
			CHK.			
ROHS	www.ferriwo.com		APP.		Customer P/N	Specification Sheet 1of 1