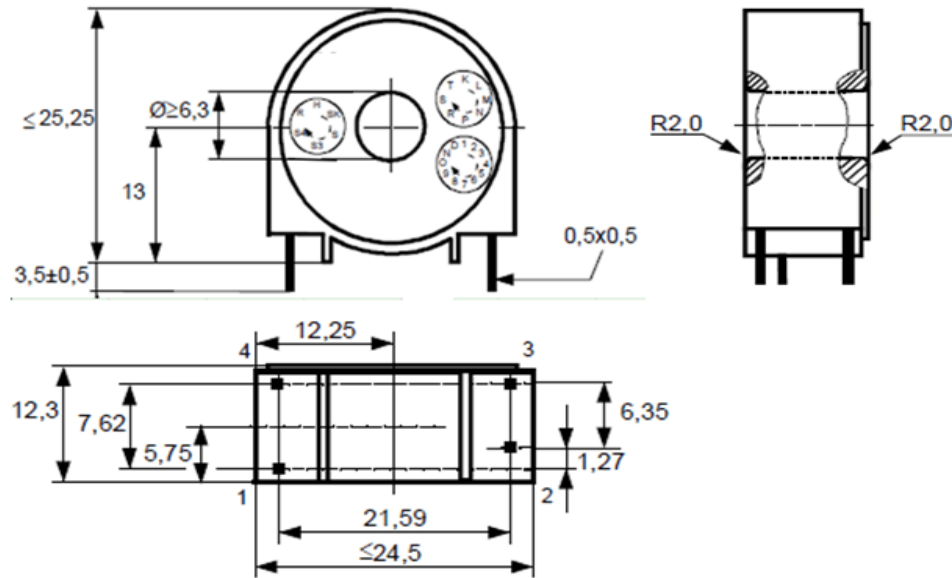


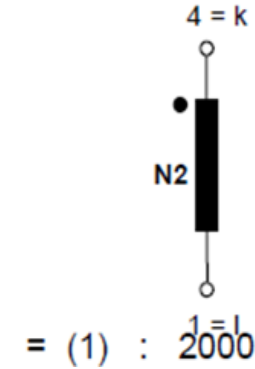
CUSTOMER TERMINAL	ROHS	Lead (Pb) -free
	YES	YES



1. Mechanical Dimensions (Unit:mm)



2. Schematic Diagram



3. Electrical parameters

Frequency	Current(Max)	Secondary voltage (mV)	Load Resistance (Ω)	DCR(Ω)	Temperature($^{\circ}\text{C}$)	Storage Temperature ($^{\circ}\text{C}$)
Hz	A					
50	6	300	100	114	-40~70	-40~80
60	20	300	30	114	-40~70	-40~80

4. Test Condition

Test Frequency: 50HZ

Temperature: 25 $^{\circ}\text{C}$

Humidity: 80~90%

Electrical Requirement:

Insulation intensity of power frequency: 4KV1min

Insulation Resistance: $\geq 600\text{M}\Omega$

REV.	DATE	 Convention Placement	DRW.	Wang Xiao Lin	Drawing Title: CURRENT TRANSFORMER Customer P/N:	Part No:
0	01/15		CHK.	He Ping		FWCST010D-244M
RoHS		www.ferriwo.com	APP.	Wang Yuan Zhi	Specification Sheet 1 of 1	