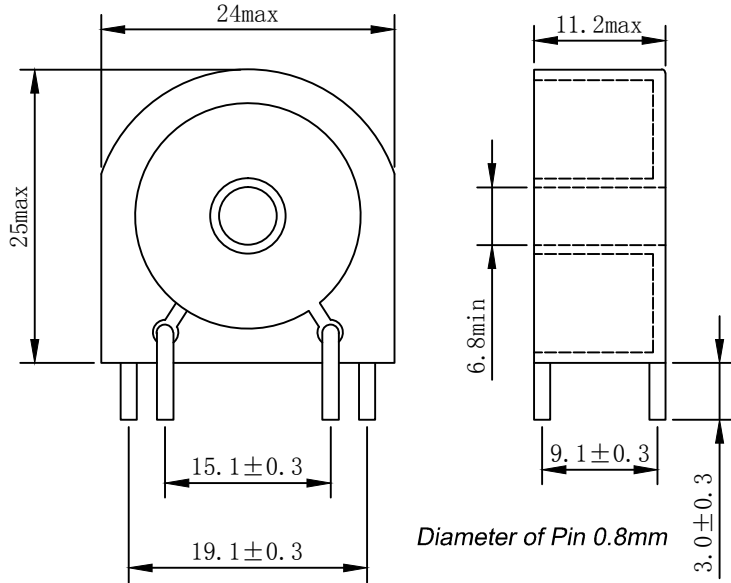


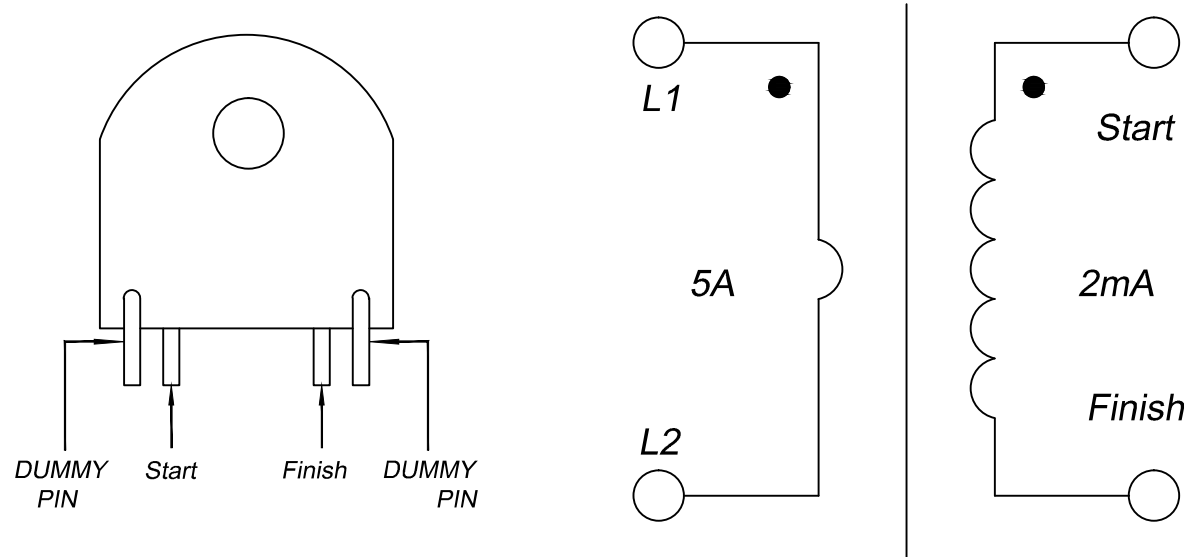
CUSTOMER TERMINAL	ROHS	Lead (Pb) -free
	YES	YES



1. Mechanical Dimensions (Unit:mm)



2. Schematic Diagram



3. Electrical parameters

Pri current A		Sec current mA	Precision grade	Load Resistance Ω	DC Resistance Ω	Temperature °C	Humidity 25°C
Basic current	Current max						
5	82	2	0.2	10	124 ~ 136	-40 ~ 75	80 ~ 90%

4. Test Condition

Test Frequency: 50HZ

Temperature: 25°C

Humidity: 80~90%

Electrical Requirement:

Insulation intensity of power frequency: 4KV1min

Insulation Resistance: ≥600mΩ

REV.	DATE	<p>Convention Placement</p>	DRW.	Wang Xiao Lin	Drawing Title: CURRENT TRANSFORMER Customer P/N:	Part No:	FWCST010C
0	01/15		CHK.	He Ping			
RoHS		www.ferriwo.com	APP.	Wang Yuan Zhi	Specification Sheet 1 of 1		