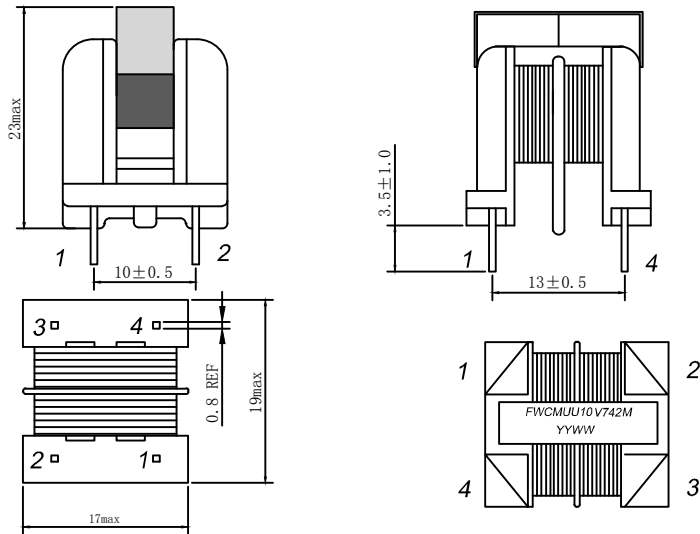


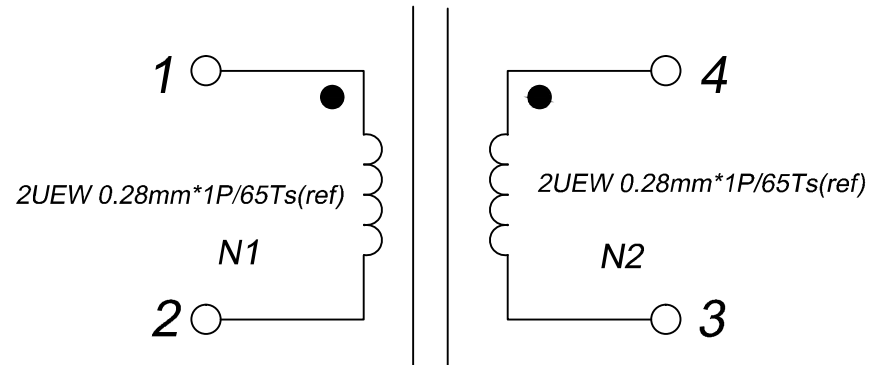
CUSTOMER TERMINAL	ROHS	Lead (Pb) -free
	YES	YES



1. Mechanical Dimensions



2. Schematic Diagram



3. Material List

Bobbin:UU10.5 2+2PIN
 Core:UU10.5 FWS10K
 Wire:2UEW 0.28mm 155°C
 Operating temperature range:-40°C to +105°C

4. Electrical Specification

Inductance: $L(1-2) = L(3-4) = 7.4\text{mH min } 1.0\text{KHZ } 0.3\text{V}$
 Rated Current:0.8A
 DCR:100mΩ MAX
 Hi-pot: Coil-Coil-Core;1500V AC/1mA/3 Second

REV.	DATE	 Convention Placement	DRW.		Drawing Title: INDUCTOR	Part No: FWCMMUU10V742M
0	00/00		CHK.			
RoHS		www.ferriwo.com	APP.		Customer P/N: PLA10AN7420R8R2	Specification Sheet 1 of 1

THIS DOCUMENT IS STRICTLY NOT ALLOWED TO BE DUPLICATED WITHOUT AUTHORIZATION