



**SPECIFICATION FOR APPROVAL**

DESCRIPTION : INDUCTOR  
 SPECIFICATION : UU9.8-30mH  
 PART NO. : FWCMUU09V303N  
 ISSUE DATE : 11 August 2021

MANUFACTURER APPROVAL		
PREPARED	CHECKED	APPROVED
工程部 夏晓凯 2021.08.11	工程部 潘玉财 2021.08.11	工程部 王永生 2021.08.11

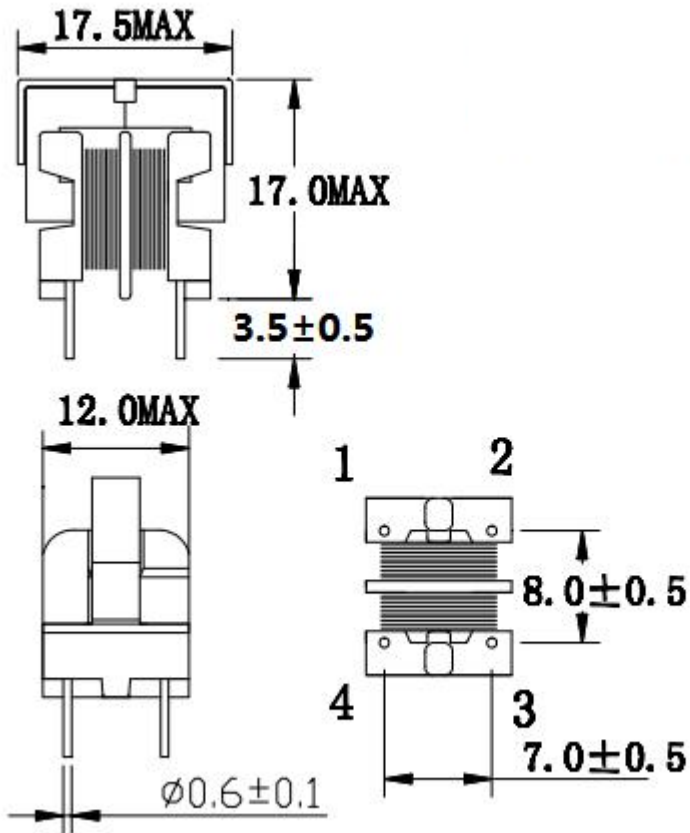
CUSTOMER APPROVAL		
RECEIPT	CHECKED	APPROVED

<b>Haining Ferriwo Electronics Co., Ltd.</b>	
Address:Block 13, Caohejing Technology Park, No.8, Haining Avenue, Haining, Zhejiang , China	
TEL: +86-573-87088701	FAX: +86+573-87081130
www.ferriwo.com	sales@ferriwo.com




# SPECIFICATION

## 1. PHYSICAL DIMENSION(UNIT: m/m):

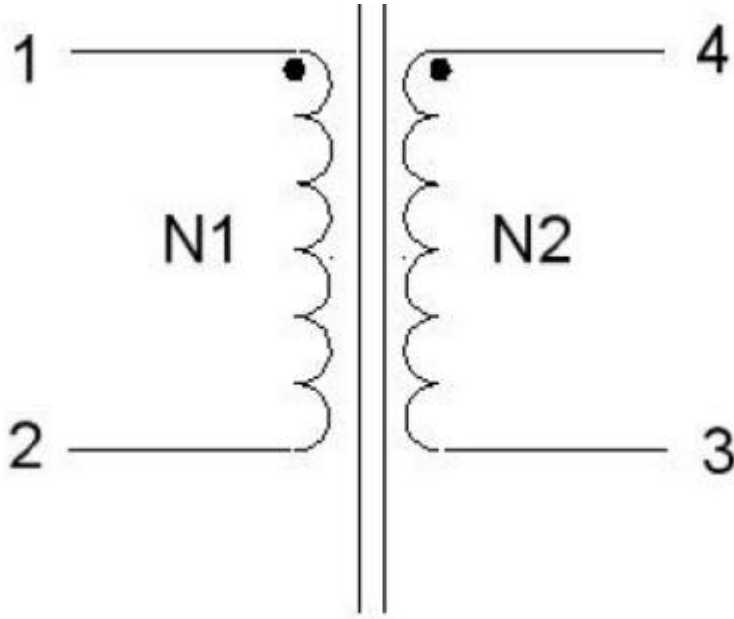


\*.Core is fixed with clip.

**LEAD FREE**

DIM	a	b	c	d	e	f	g					
SPEC												
						DESCRIPTION		INDUCTOR				
						Customer P/N		UU9.8-30mH				
						FERRIWO P/N		FWCMUU09V303N				
SPEC. NO.	PS-2021-065			PREPARED	夏晓凯 2021.08.11		APPROVED	王永生 2021.08.11				

**2.WINDING TABLE:**



**3.WINDING TABLE:**

Winding NO.	Margin Tape	PIN	Wire & Wire Copper	Turns	Winding Type	Tape Layer	Tube
N1	0	1~2	0.23 $\phi$ x 1P	100Ts(REF)	CLOSE		
N2	0	4~3	0.23 $\phi$ x 1P	100Ts(REF)	CLOSE		

**NOTE:**

- Products should be vacuum varnish.  
 \*VARNISH RATIO:1:2  
 \*VACUUM TIME:15~20minutes  
 \*BAKED TEMPERATURE:120°C $\pm$ 10°C,1~1.5huors

**LEAD FREE**

DESCRIPTION	INDUCTOR
Customer P/N	UU9.8-30mH
FERRIWO P/N	FWCMUU09V303N

SPEC. NO.	PS-2021-065	PREPARED	夏晓凯 2021.08.11	APPROVED	王永生 2021.08.11
-----------	-------------	----------	-------------------	----------	-------------------

# SPECIFICATION

4/5

## 4. ELECTRONICAL CHARACTERISTIC:

TEST CONDITION : TEMPERATURE AT 25°C

HUMIDITY AT 65 ±5% RH

TEST ITEM	TEST CONDITION	RESULT
INDUCTANCE CH-3250	@10KHz,1V (1~2)=(4~3)	30mH MIN
DCR CH-502	(1~2)=(4~3)	3.0 Ω MAX
HI-POT TEST CH-9052	@ 1mA 3SEC (AC)	N1<->N2 1.0 KV N1,N2<->C 0.5 KV

**LEAD FREE**



DESCRIPTION

INDUCTOR

Customer P/N

UU9.8-30mH

FERRIWO P/N

FWCMUU09V303N

SPEC. NO.

PS-2021-065

PREPARED

夏晓凯  
2021.08.11

APPROVED


王永生  
2021.08.11

# SPECIFICATION

**5. MATERIAL LIST :**

ITEM	MATERIAL	SUPPLIER OR MANUFACTURER	TEMPRATING	
1	CORE	FWS13K OR EQUIVALENT	HAINING FERRIWO ELECTRONICS CO., LTD.	
2	BOBBIN	PHENOLIC OR EQUIVALENT	SUMITOMO BAKELITE CO., LTD. UL NO E41429	150°C
3	WIRE	2UEW	PACIFIC ELECTRIC WIRE&CABLE(SHENZHEN) CO. LTD UL NO E84081	130°C
4	VARNISH	BC-346A	JOHN C DOLPH CO BC-346A UL NO E317427	130°C
5	FLUX	TF9100	LINAN GUITONG CHEMICAL TECHNICAL CO.,LTD	
6	TIN	Sn99.3Cu0.7	HAINING ZHUCHANG METAL FOIL CO;LTD	

**LEAD FREE**

	DESCRIPTION	INDUCTOR			
	Customer P/N	UU9.8-30mH			
	FERRIWO P/N	FWCMUU09V303N			
SPEC. NO.	PS-2021-065	PREPARED	夏晓凯 2021.08.11	APPROVED	王永生 202108.11