



SPECIFICATION FOR APPROVAL

DESCRIPTION : INDUCTOR
 SPECIFICATION : UU9.8-15mH
 PART NO. : FWCMUU09V153N
 ISSUE DATE : 11 August 2021

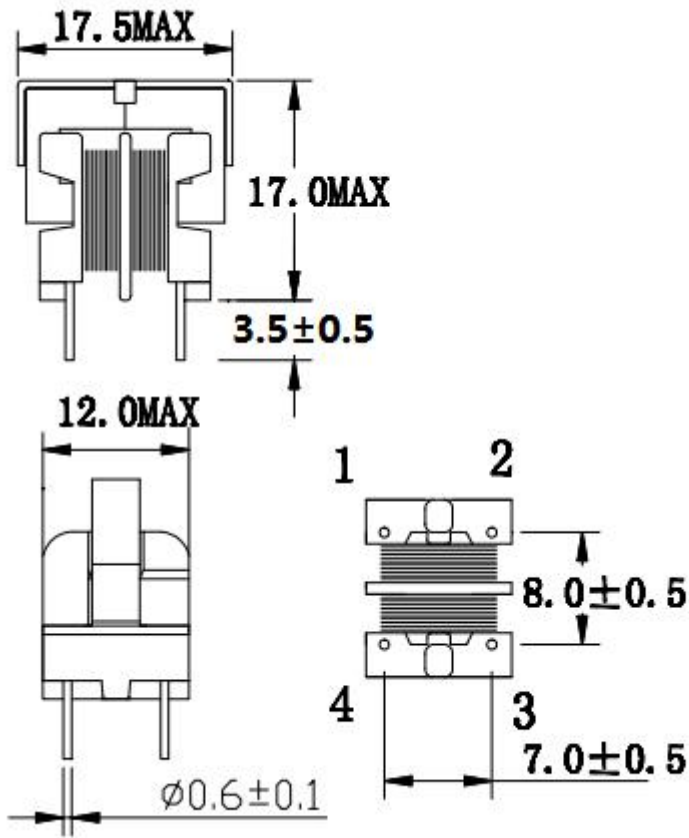
MANUFACTURER APPROVAL		
PREPARED	CHECKED	APPROVED
工程部 夏晓凯 2021.08.11	工程部 潘玉财 2021.08.11	工程部 王永生 2021.08.11

CUSTOMER APPROVAL		
RECEIPT	CHECKED	APPROVED

Haining Ferriwo Electronics Co., Ltd.	
Address: Block 13, Caohejing Technology Park, No.8, Haining Avenue, Haining, Zhejiang , China	
TEL: +86-573-87088701	FAX: +86+573-87081130
www.ferriwo.com	sales@ferriwo.com


SPECIFICATION

1. PHYSICAL DIMENSION(UNIT: m/m):

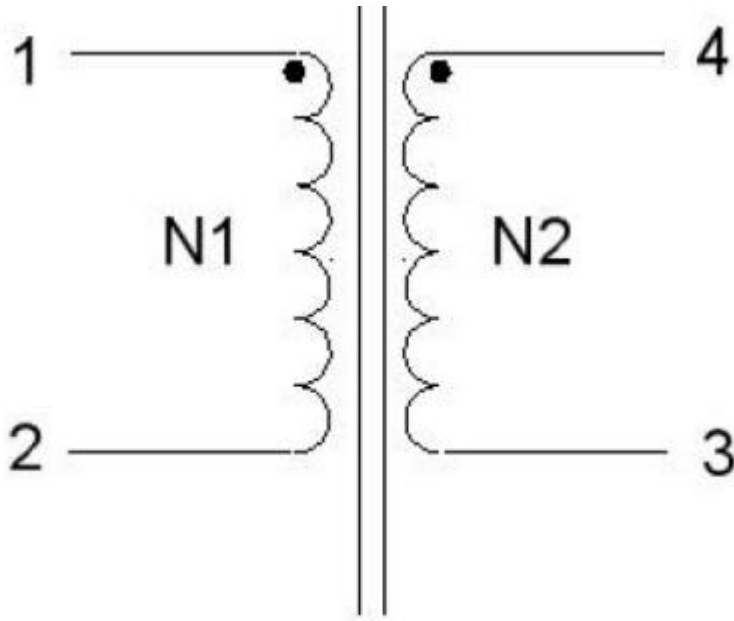


*.Core is fixed with clip.

LEAD FREE

DIM	a	b	c	d	e	f	g					
SPEC												
						DESCRIPTION		INDUCTOR				
						Customer P/N		UU9.8-15mH				
						FERRIWO P/N		FWCMUU09V153N				
SPEC. NO.	PS-2021-066				PREPARED	夏晓凯 2021.08.11		APPROVED	王永生 2021.08.11			

2.WINDING TABLE:



3.WINDING TABLE:

Winding NO.	Margin Tape	PIN	Wire &Wire Copper	Turns	Winding Type	Tape Layer	Tube
N1	0	1~2	0.25 ϕ x 1P	90Ts(REF)	CLOSE		
N2	0	4~3	0.25 ϕ x 1P	90Ts(REF)	CLOSE		

NOTE:

- Products should be vacuum varnish.
 *VARNISH RATIO:1:2
 *VACUUM TIME:15~20minutes
 *BAKED TEMPERATURE:120°C±10°C,1~1.5huors

LEAD FREE

DESCRIPTION	INDUCTOR
Customer P/N	UU9.8-15mH
FERRIWO P/N	FWCMUU09V153N

SPEC. NO.	PS-2021-066	PREPARED	夏晓凯 2021.08.11	APPROVED	王永生 2021.08.11
-----------	-------------	----------	-------------------	----------	-------------------

SPECIFICATION

4/5

4. ELECTRONICAL CHARACTERISTIC:

TEST CONDITION : TEMPERATURE AT 25°C

HUMIDITY AT 65 ±5% RH

TEST ITEM	TEST CONDITION	RESULT
INDUCTANCE CH-3250	@10KHz,1V (1~2)=(4~3)	15mH MIN
DCR CH-502	(1~2)=(4~3)	1.5 Ω MAX
HI-POT TEST CH-9052	@ 1mA 3SEC (AC)	N1<->N2 1.0 KV N1,N2<->C 0.5 KV

LEAD FREE



DESCRIPTION

INDUCTOR

Customer P/N

UU9.8-15mH

FERRIWO P/N

FWCMUU09V153N

SPEC. NO.

PS-2021-066

PREPARED

夏晓凯
2021.08.11

APPROVED

王永生
2021.08.11

SPECIFICATION

5. MATERIAL LIST :

ITEM	MATERIAL	SUPPLIER OR MANUFACTURER	TEMPRATING	
1	CORE	FWS13K OR EQUIVALENT	HAINING FERRIWO ELECTRONICS CO., LTD.	
2	BOBBIN	PHENOLIC OR EQUIVALENT	SUMITOMO BAKELITE CO., LTD. UL NO E41429	150°C
3	WIRE	2UEW	PACIFIC ELECTRIC WIRE&CABLE(SHENZHEN) CO. LTD UL NO E84081	130°C
4	VARNISH	BC-346A	JOHN C DOLPH CO BC-346A UL NO E317427	130°C
5	FLUX	TF9100	LINAN GUITONG CHEMICAL TECHNICAL CO.,LTD	
6	TIN	Sn99.3Cu0.7	HAINING ZHUCHANG METAL FOIL CO;LTD	

LEAD FREE



DESCRIPTION

INDUCTOR

Customer P/N

UU9.8-15mH

FERRIWO P/N

FWCMUU09V153N

SPEC. NO.

PS-2021-066

PREPARED

夏晓凯
2021.08.11

APPROVED

王永生
202108.11