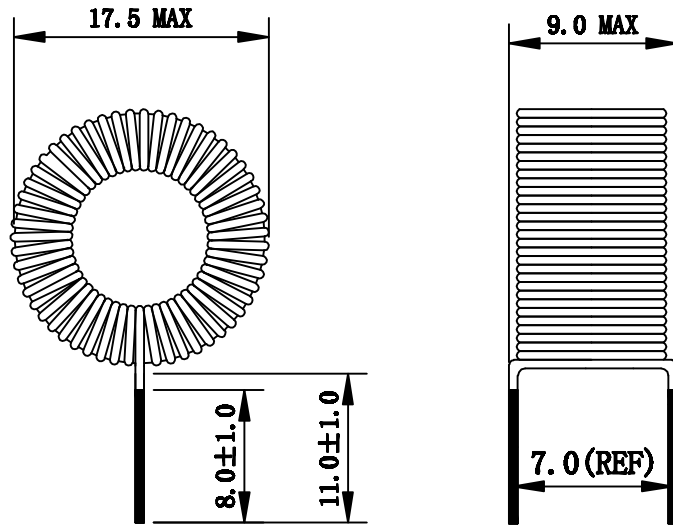


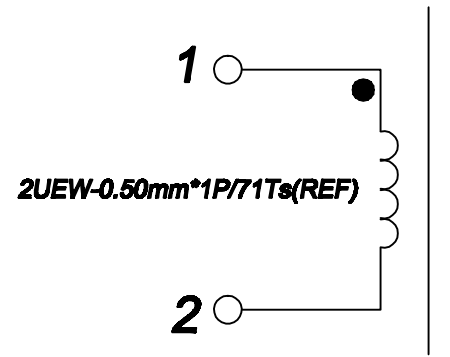
CUSTOMER TERMINAL	ROHS	Lead (Pb) -free
	YES	YES

FERRIWO

1. Mechanical Dimensions



2. Schematic Diagram



3. Material List

Core:KT60-52

Wire: 2UEW-F -0.50mm 155°C

varnish: T-4260

Operating Temperature: -40 to 115°C

4. Electrical Specification

Inductance: L (1-2) =220uH±10% 100.0KHz 1.0V

DCR:160mΩ MAX

REV.	DATE	<p>Convention Placement</p>	DRW.		Drawing Title: CHOKE	Part No: FWCMT6052221K- V
00	20.08.17		CHK.			
RoHS		www.ferriwo.com	APP.		Customer P/N:	Specification Sheet 1 of 1