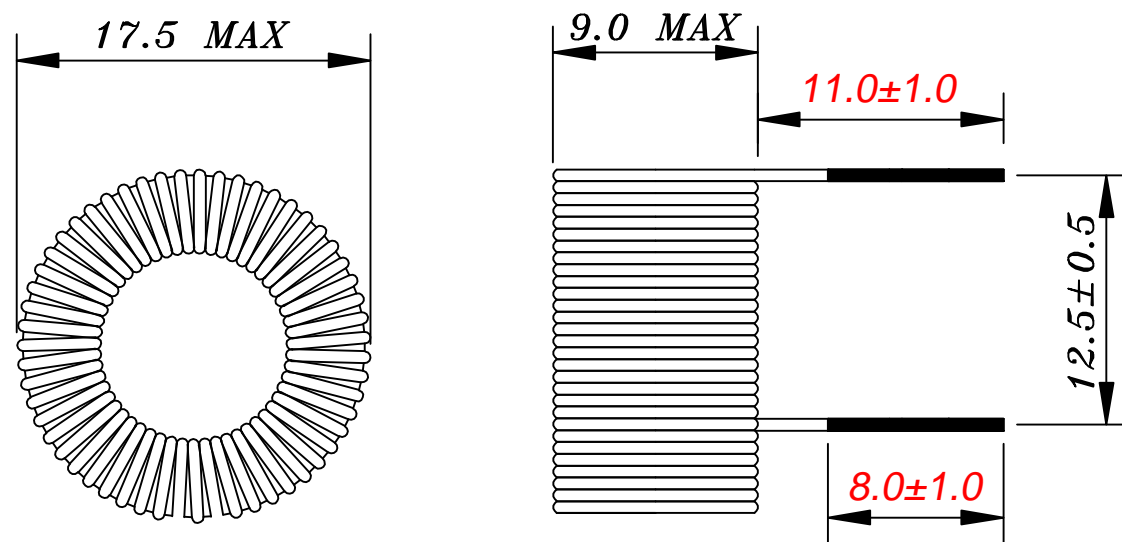


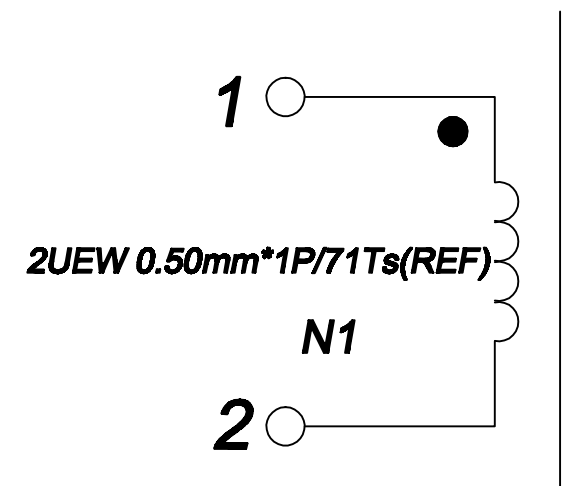
CUSTOMER TERMINAL	ROHS	Lead (Pb) -free
	YES	YES



1. Mechanical Dimensions



2. Schematic Diagram



3. Material List

Core:KT60-52
 Wire:2UEW-F- 0.50mm 155°C
 Varnish: T-4260
 Temperature:-40~115°C

4. Electrical Specification

Inductance: L (1-2) =220uH±10% 100.0KHZ 1.0V
 DCR:160mΩ MAX.

REV.	DATE	 Convention Placement	DRW.		Drawing Title:	Part No:
1.0	23.3.26		CHK.		CHOKE	FWCMT6052221K -L
RoHS		www.ferriwo.com	APP.		Customer P/N:	Specification Sheet 1 of 1
					LT20_L2	