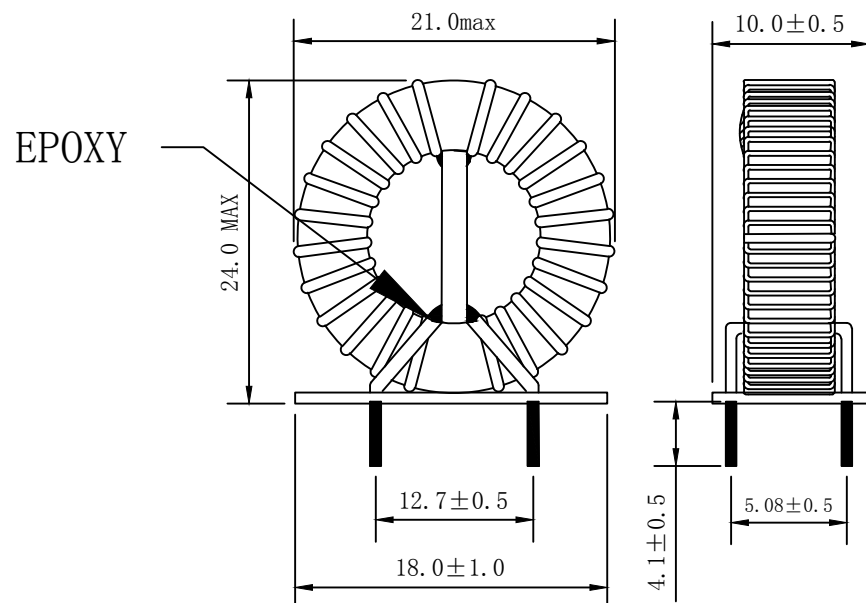


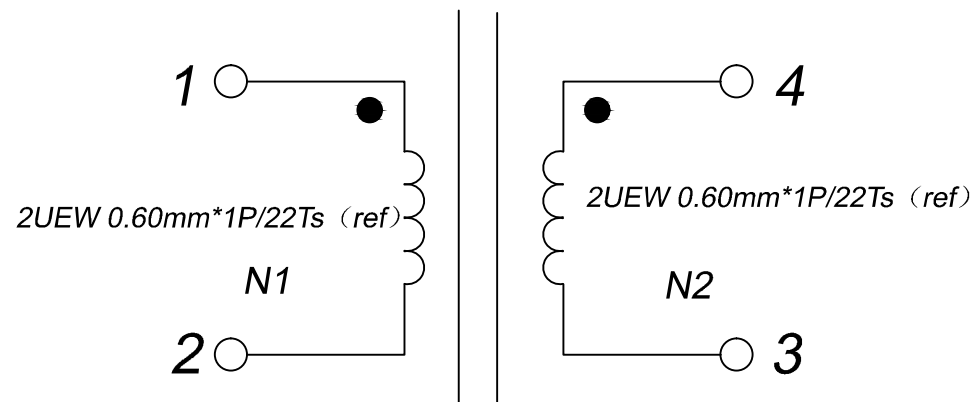
CUSTOMER TERMINAL	ROHS	Lead (Pb) -free
	YES	YES



## 1. Mechanical Dimensions



## 2. Schematic Diagram



## 3. Material List

Core: T18\*10\*8

Wire: 2UEW 0.60mm 155°C

EPOXY: E500

Varnish: T-4260

PCB: FR4

## 4. Electrical Specification

Inductance:  $L(1-2) = L(4-3) = 5.0\text{mH} \pm 25\%$  1KHZ 1V

DCR(1-2)=(4-3)=197mΩ max at 25°C

DC Current 1.2A max

REV.	DATE	 Convention Placement	DRW.	Pan Yucai	Drawing Title: <b>CHOKE</b>	Part No:	FWCMT181008-502M
0	08/14		CHK.	Zhu Kan		Customer P/N:	51505C
<b>RoHS</b>		<a href="http://www.ferriwo.com">www.ferriwo.com</a>	APP.	Xia Xiaokai			