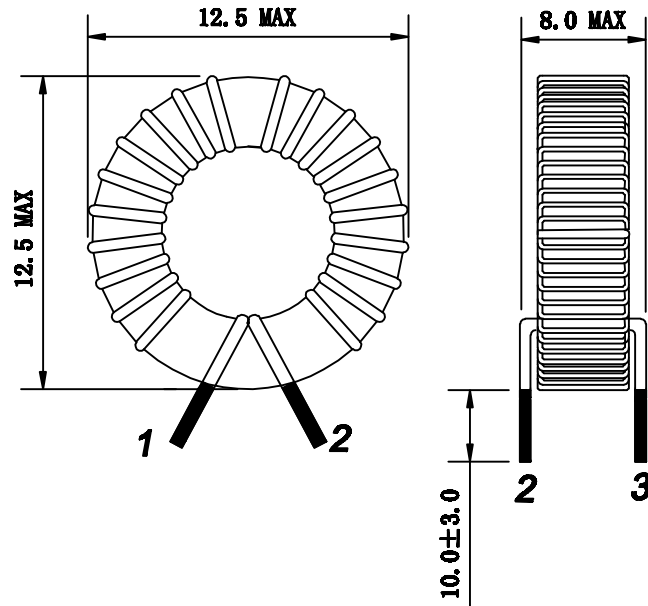


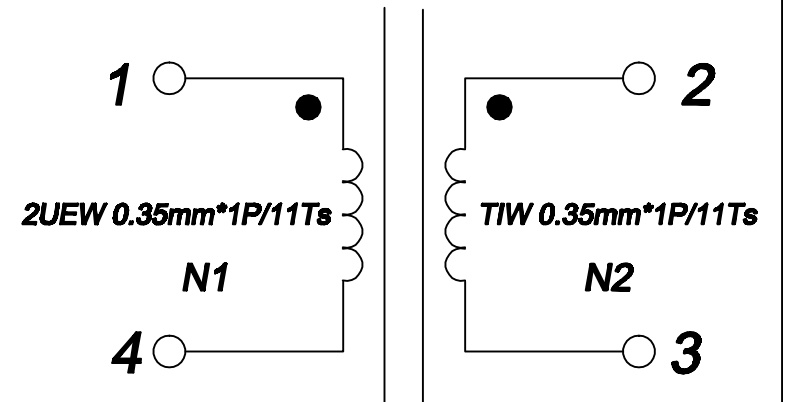
CUSTOMER TERMINAL	ROHS	Lead (Pb) -free
	YES	YES



### 1.Mechanical Dimensions



### 2.Schematic Diagram



### 3.Material List

Core:TS10-10\*6\*5C  
 Wire:2UEW 0.35mm TIW-0.35mm 155°C  
 Operating Temperature: -30 to 115°C

### 4.Electrical Specification

Inductance:  $L(1-2)=720\mu H \pm 25\%$  10.0KHZ 0.1V

REV.	DATE	 Convention Placement	DRW.		Drawing Title: <b>CHOKE</b>	Part No: <b>FWCMT100605721M</b>
0	00/00		CHK.			
<b>RoHS</b>		<a href="http://www.ferriwo.com">www.ferriwo.com</a>	APP.		Customer P/N:	Specification Sheet 1 of 1