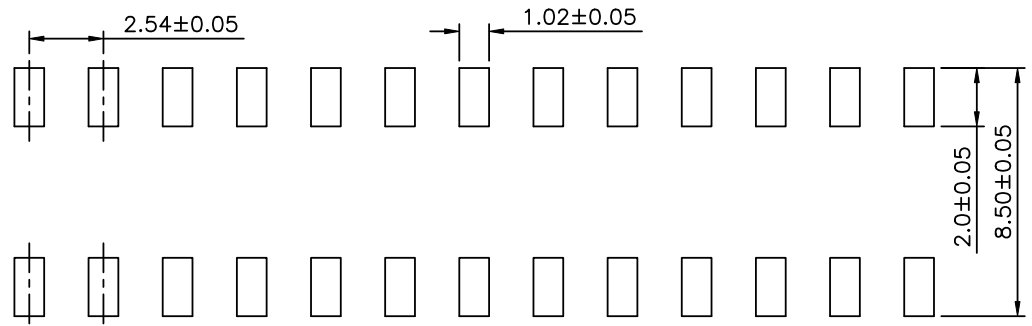


SPECIFICATION

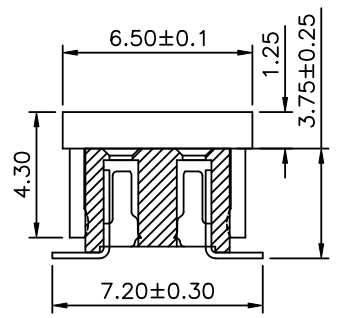
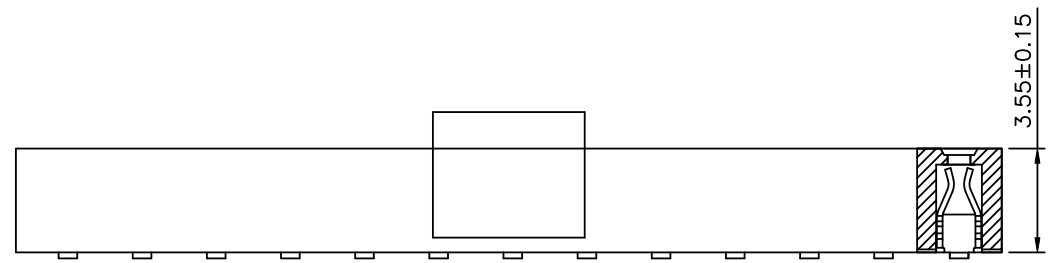
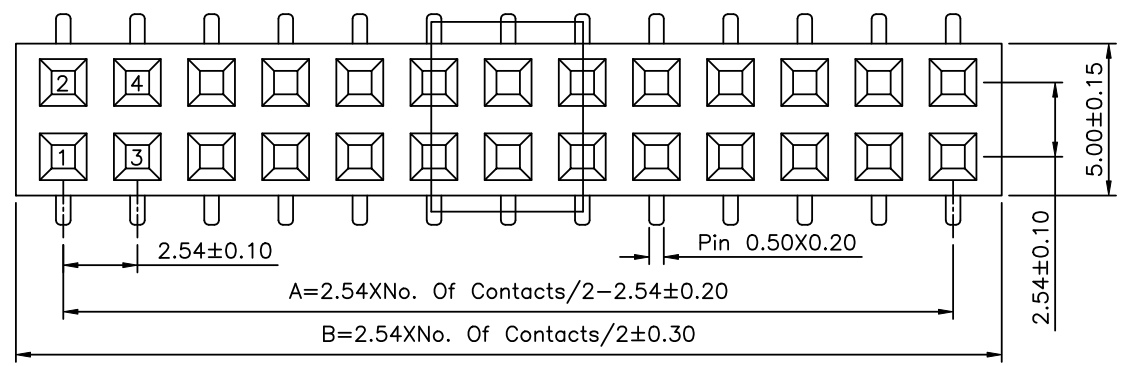
Current Rating:3 Amp
 Withstand Voltage:500V AC/Minute
 Contact Resistance:20 Milliohms Max.
 Insulation Resistance:1000 Megohms Min.
 Operation Temperature:-40°C~+105°C
 Insulator:PA6T+30%G.F.(UL94V-0),Black
 Contact:Phosphor Bronze,Gold Flash Over Nickel
 RoHS Compliant

FV X 37 - 2 X XX C - H
 (1) (2) (3) (4) (5)(6) (7)

- (1) FV:2.54mm Female Header SMT Straight
- (2) X:Without Post
- (3) 37:3.75mm Total Height
- (4) 2:Dual Row
- (5) XX:No. Of Position/Per Row
- (6) C:With Cap
- (7) H:RoHS Compliant



Recommended P.C.B. Layout
 (PCB Board Tolerance±0.05)



Pin	A	B	Pin	A	B
04	2.54	5.08	44	53.34	55.88
06	5.08	7.62	46	55.88	58.42
08	7.62	10.16	48	58.42	60.96
10	10.16	12.70	50	60.96	63.50
12	12.70	15.24	52	63.50	66.04
14	15.24	17.78	54	66.04	68.58
16	17.78	20.32	56	68.58	71.12
18	20.32	22.86	58	71.12	73.66
20	22.86	25.40	60	73.68	76.20
22	25.40	27.94	62	76.20	78.74
24	27.94	30.48	64	78.74	81.28
26	30.48	33.02	66	81.28	83.82
28	33.02	35.56	68	83.82	86.36
30	35.56	38.10	70	86.36	88.90
32	38.10	40.64	72	88.90	91.44
34	40.64	43.18	74	91.44	93.98
36	43.18	45.72	76	93.98	96.52
38	45.72	48.26	78	96.52	99.06
40	48.26	50.80	80	99.06	101.60
42	50.80	53.34			

AUK A MEMBER OF AUK GROUP
太聯事業股份有限公司
AUK CONTRACTORS CO., LTD.

CATEGORY		APPROVED BY	
PART No.		MEI	
DRAWING No.		CHECKED BY	
SCALE		DRAWING BY	
NONE		CYP	
REV.		A0	

UNLESS OTHERWISE SPECIFIED TOLERANCES ARE
 .X ±0.30
 .XX ±0.20
 ANG.

NO. REV.	REVISIONS	CHK	DATE
△ A0	NEW RELEASE	HZF	05/30/2016