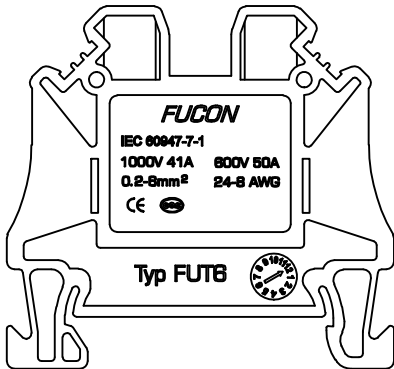
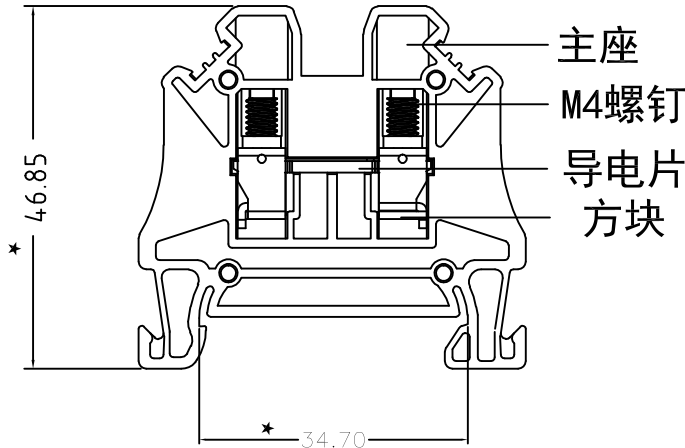
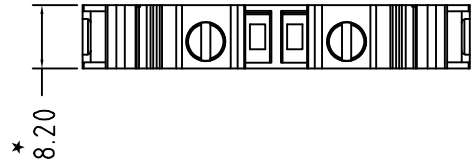


1	2		3		4		5		6		7		8							
未注公差/General tolerances(mm)													符号/SIGN		描述/DESCRIPTION		修订者/DRAWN		日期/DATE	
>0	>3	>6	>10	>18	>30	>50	>80	>120	>180	>250	>315	>400	>500	0.1/10						
~	~	~	~	~	~	~	~	~	~	~	~	~	~							
3	6	10	18	30	50	80	120	180	250	315	400	500	>500							
±0.15	±0.20	±0.25	±0.30	±0.35	±0.40	±0.60	±0.80	±0.95	±1.00	±1.20	±1.60	±2.00	±2.50							



技术参数 Technical parameter:

● 产品标准/Rated Voltage	UL1059	IEC60947
● 获得安规及标志 ● Access to Safety Mark		
● 证书号码/Certificate No		
● 额定电压/Rated Voltage	600V	1000V
● 额定电流/Rated Current	50A	41A
● 线径范围/Wire range	24-8AWG	0.2~6mm <sup>2</sup>
● 剥线长度/Wire strip length	9mm	9mm
● 绝缘耐压/Withstanding Voltage	2200V	3500V
● 扭力/Torque	M4 1.2N.m	
● 温度范围/Operating temperature	-40℃~105℃	
● 关键尺寸/Critical dimension	★	

④	方块/Copper cubes	SPCC		2
③	导电件/Conductive parts	T2		1
②	M4螺钉/M4 Screw	SPCC		2
①	主座/Housing	PA66	UL94V-0灰色/Grey	1
ITEM 序号	NAME OF PART 部件名称	Material 材料	NOTES 备注	QTY 用量

	CAT NO./认证型号	FUT6	SHEET: 1/1
	PATE NO./成品料号	02.09.001.0203	SCALE: 1:1
	CUST NO./客户料号	/	REV.: A01
APPROVED/审批	何跃雄 2022.02.28	MODEL:	
CHECKED/核准	胡德权 2022.02.28	FUT6	
DRAWN/制图	陈燕龙 2022.02.28	DRAWING NO./图号:	FUT6-001
SIZE: A4	← 52mm (2inch) →	TYPE/图纸类型:	CUSTOMER_DRAWING