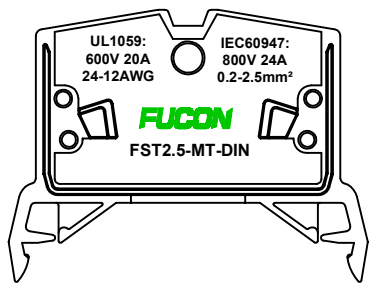
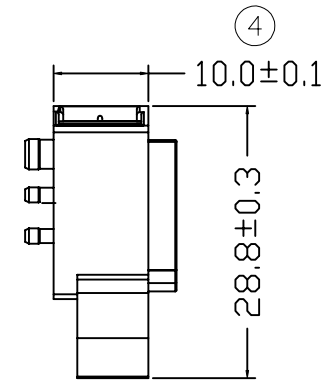
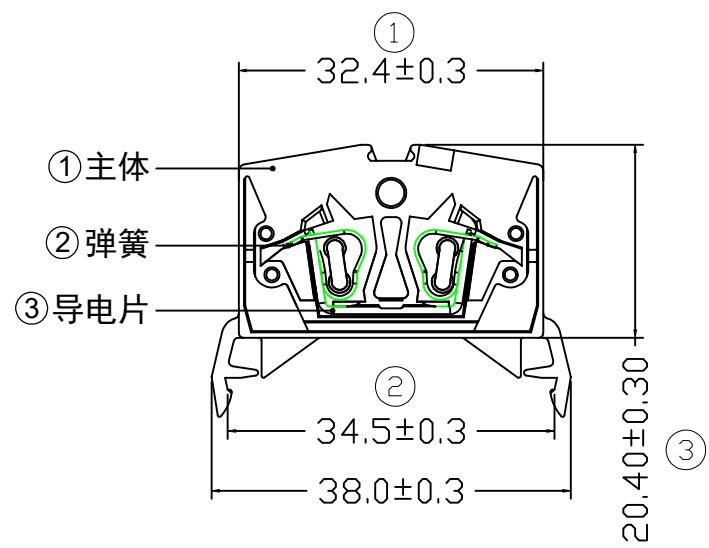


未注公差/General tolerances(mm)														
>0 ~	>3 ~	>6 ~	>10 ~	>18 ~	>30 ~	>50 ~	>80 ~	>120 ~	>180 ~	>250 ~	>315 ~	>400 ~	>500 ~	0.1/10
3	6	10	18	30	50	80	120	180	250	315	400	500		±2 <sup>c</sup>
±0.15	±0.20	±0.25	±0.30	±0.35	±0.40	±0.60	±0.80	±0.95	±1.00	±1.20	±1.60	±2.20	±2.50	

5	6	7	8
符号/SIGN	描述/DESCRIPTION	修订者/DRAWN	日期/DATE
AD	新版发行	Hefei	22-09-15



Factory: Xiamen Fucon IMP&EXP CO.,LTD  
 Part No.: FST2.5-MT-DIN  
 Series of push wire DIN rail connector (electrical terminal block for mounting on DIN rail)



技术参数 Technical parameter:

● 产品标准/Rated Voltage	IEC60947	UL1059
● 获得安规及标志 Access to Safety Mark		
● 证书号码/Certificate No		
● 额定电压/Rated Voltage	600V	800V
● 额定电流/Rated Current	20A	24A
● 线径范围/Wire range	24-12AWG	0.2-2.5 mm <sup>2</sup>
● 剥线长度/Wire strip length	8-9	8-9
● 绝缘耐压/Withstanding Voltage	2200V	3500V
● 温度范围/Operating temperature	-40 <sup>c</sup> ~105 <sup>c</sup>	
● 关键尺寸/Critical dimension	★	

③	导电件/Current Carrier	Copper Alloy	镍/Ni Plated	1
②	弹簧/Spring	SUS301		4
①	主座/Housing	PA66 UL94-V0		1
ITEM 序号	NAME OF PART 部件名称	Material 材料	NOTES 备注	QTY 用量

FUCON	CAT NO./认证型号		SHEET:1/1
	PATE NO./成品料号		SCALE:1:1
	CUST NO./客户料号		REV.:A01
APPROVED/审批	何跃雄 2022.09.15	MODEL:	FST2.5-MT-DIN
CHECKED/核准	林平财 2022.09.15		
DRAWN/制图	郑天映 2022.09.15	DRAWING NO./图号:	
SIZE: A4	mm (inch)	TYPE/图纸类型:	CUSTOMER_DRAWING