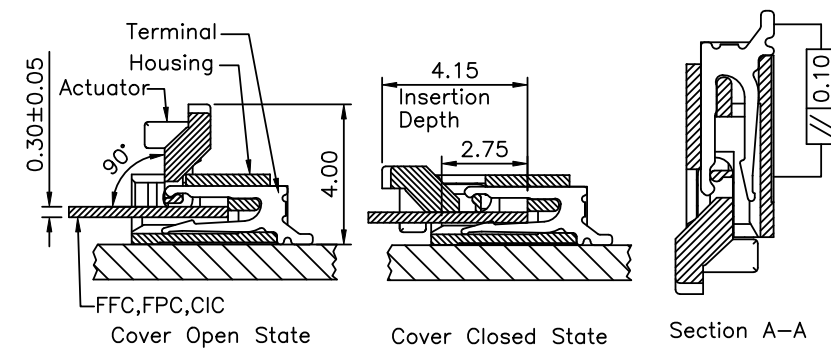


Applicable FFC/FPC Thickness: 0.30±0.03mm



SPECIFICATION

- General Characteristics:**
0.5mm FPC XXP SMT 90° Easy On Type
Bottom Contact Tape&Reel 2000PCS/Reel
- Material&Finish:**
Insulator:PA9T(UL94V-0),Ivory
Slider:PPS(UL94V-0),Black
Terminal:Phosphor Bronze,Tin Plated Over Nickel
Me:Brass,Tin Plated Over Nickel
- Electrical Characteristics:**
Operation Voltage:50V Max.
Current Rating:0.5 Amp Max.
Contact Resistance:20 Milliohms Max.
Insulation Resistance:50 Megaohms Min.
Dielectric Withstanding Voltage:250V AC RMS
- Environmental Characteristics:**
Operation Temperature:-40°C~+85°C
Processing Temperature:245°C±5°C For 30s
- RoHS Compliant**

FP	V	XX	W	H	B	- R2K	- H
(1)	(2)	(3)	(4)	(5)	(6)	(7)	(8)
(1)	FP:FPC/FFC						
(2)	V:0.5mm Pitch						
(3)	XX:No. Of Position						
(4)	W:SMT Right Angle						
(5)	H:Easy On Type						
(6)	B:Bottom Contact						
(7)	R2K:Tape&Reel 2000 PCS/Reel						
(8)	H:RoHS Compliant						

Pin	A±0.20	B±0.20	C±0.08	D±0.10	E±0.20
4	6.4	5.80	2.60	1.50	6.30
6	7.4	6.80	3.60	2.50	7.30
7	7.9	7.30	4.10	3.00	7.80
8	8.4	7.80	4.60	3.50	8.30
9	8.9	8.30	5.10	4.00	8.80
10	9.4	8.80	5.60	4.50	9.30
12	10.4	9.80	6.60	5.50	10.30
13	10.9	10.30	7.10	6.00	10.80
14	11.4	10.80	7.60	6.50	11.30
16	12.4	11.80	8.60	7.50	12.30
18	13.4	12.80	9.60	8.50	13.30
20	14.4	13.80	10.60	9.50	14.30
24	16.4	15.80	12.60	11.50	16.30
26	17.4	16.80	13.60	12.50	17.30
30	19.4	18.80	15.60	14.50	19.30
32	20.4	19.80	16.60	15.50	20.30
33	20.9	20.30	17.10	16.00	20.80
40	24.4	23.80	20.60	19.50	24.30
45	26.9	26.30	23.10	22.00	26.80
50	29.4	28.80	25.60	24.50	29.30
52	30.4	29.80	26.60	25.50	30.30
54	31.4	30.80	27.60	26.50	31.30
60	34.4	33.80	30.60	29.50	34.30

AUK A MEMBER OF AUK GROUP
太聯事業股份有限公司
AUK CONTRACTORS CO., LTD.

CATEGORY		APPROVED BY		UNLESS OTHERWISE SPECIFIED TOLERANCES ARE .X ±0.35 .XX ±0.20
PART No. FPVXXWHB-R2K-H		MEI		
DRAWING No. FPVXXWHB-R2K-H		HZF		
SCALE NONE		CYP		
REV.	A3	UNIT mm		

NO.REV.	REVISIONS	CHK	DATE
A3	Add Dim.	HZF	02/13/2017
A2	Modify Data	HZF	07/24/2015
A1	Modify Data	HZF	04/20/2015
A0	NEW RELEASE	HZF	05/21/2014