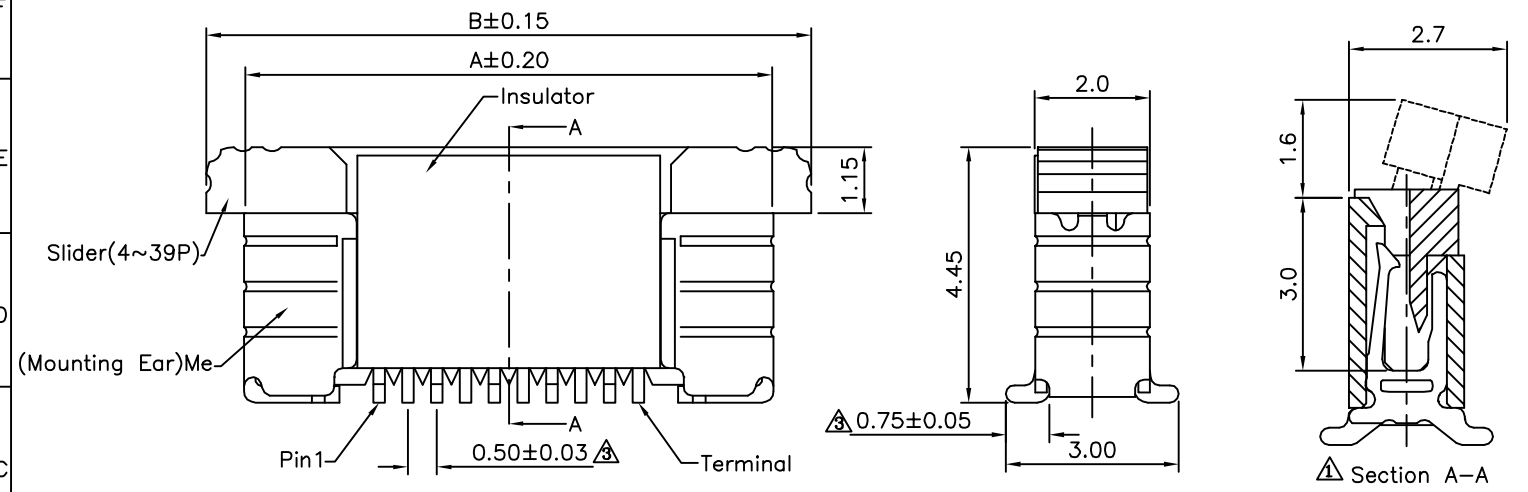


Recommended PCB Layout

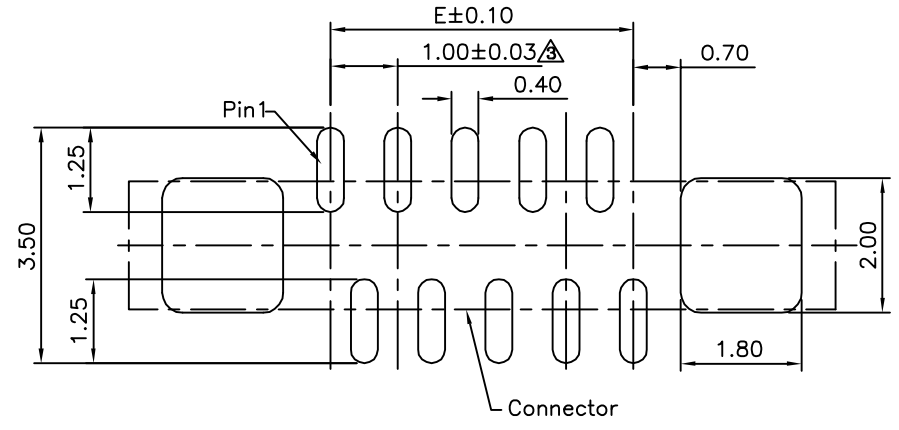
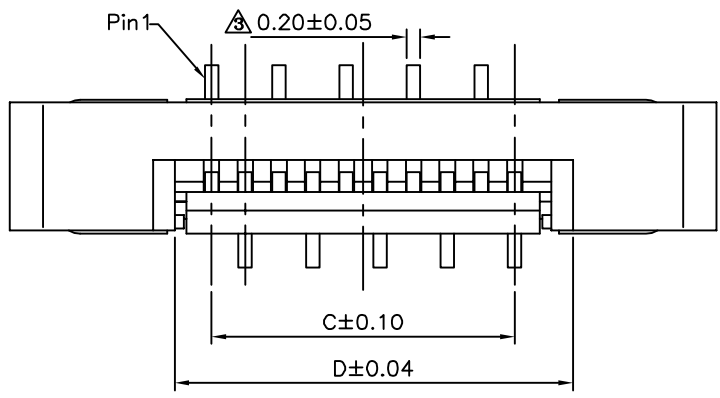
- △△ SPECIFICATION**
- 1.General Characteristics:**
0.5mm FPC XXP SMT 180° ZIF Single Contact Reverse Layout
 - 2.Material&Finish:**
Insulator:PA9T(UL94V-0),Ivory
Slider:PPS(UL94V-0),Black
Terminal:Phosphor Bronze,Tin Plated Over Nickel
Me:Brass,Tin Plated Over Nickel
 - 3.Electrical Characteristics:**
Operation Voltage:50V Max.
Current Rating:0.5 Amp Max.
Contact Resistance:20 Milliohms Max.
Insulation Resistance:50 Megaohms Min.
Dielectric Withstanding Voltage:250V AC RMS.
 - 4.Environmental Characteristics:**
Operation Temperature:-40°C~+105°C
Processing Temperature:250°C~260°C For 30 Sec.
 - 5.Other**
Accommodated FFC/FPC Thickness:0.30±0.03mm
 - 6.RoHS Compliant**



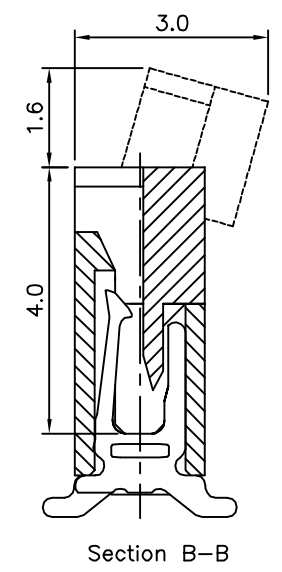
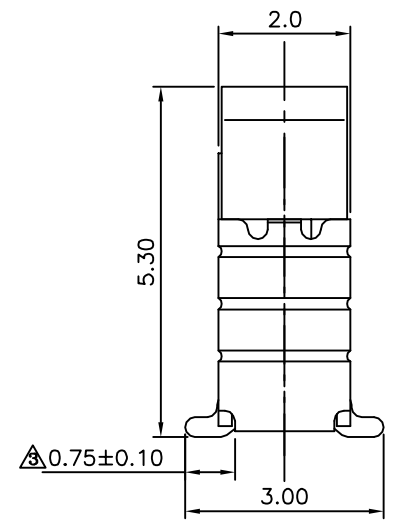
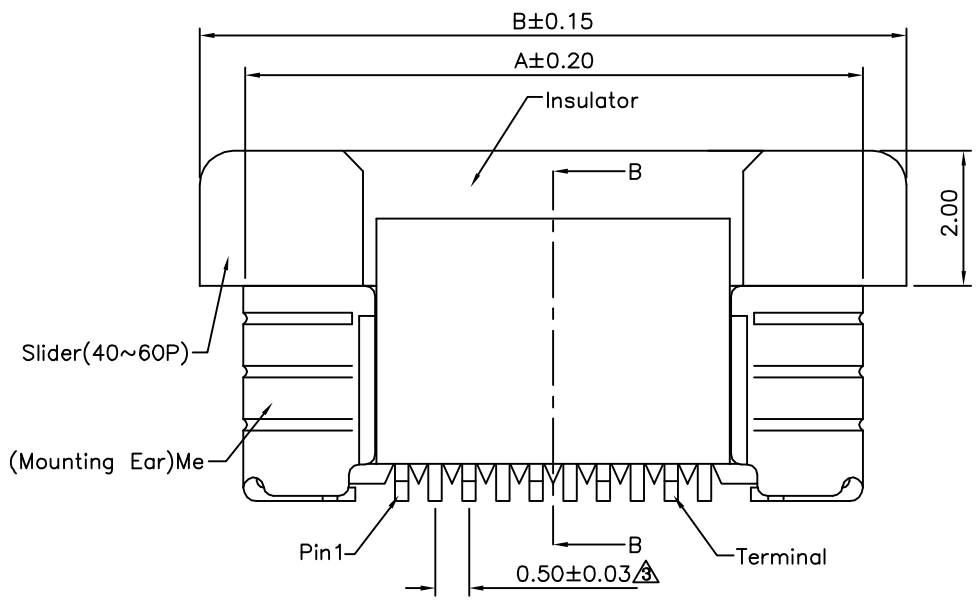
- △ FPV XX V ZA R - H**
(1) (2) (3) (4) (5) (6)
- (1) FPV:0.5mm FPC/FFC
 - (2) XX:No. Of Position
 - (3) V:SMT Straight
 - (4) ZA:ZIF Single Contact
 - (5) R:Reverse Layout
 - (6) H:RoHS Compliant

AUK A MEMBER OF AUK GROUP
太聯事業股份有限公司
AUK CONTRACTORS CO., LTD.

CATEGORY		APPROVED BY		UNLESS OTHERWISE SPECIFIED TOLERANCES ARE .X ±0.35 .XX ±0.20 ANG.	<table border="1"> <tr> <td>NO.</td> <td>REV.</td> <td>REVISIONS</td> <td>CHK</td> <td>DATE</td> </tr> <tr> <td>△A3</td> <td></td> <td>Modify Data</td> <td>HZF</td> <td>12/05/2014</td> </tr> <tr> <td>△A2</td> <td></td> <td>Modify Data</td> <td>HZF</td> <td>11/11/2011</td> </tr> <tr> <td>△A1</td> <td></td> <td>Modify Data</td> <td>HZF</td> <td>05/19/2009</td> </tr> <tr> <td>△A0</td> <td></td> <td>NEW RELEASE</td> <td>HZF</td> <td>01/26/2007</td> </tr> </table>	NO.	REV.	REVISIONS	CHK	DATE	△A3		Modify Data	HZF	12/05/2014	△A2		Modify Data	HZF	11/11/2011	△A1		Modify Data	HZF	05/19/2009	△A0		NEW RELEASE	HZF	01/26/2007
NO.	REV.	REVISIONS	CHK			DATE																								
△A3		Modify Data	HZF			12/05/2014																								
△A2		Modify Data	HZF			11/11/2011																								
△A1		Modify Data	HZF	05/19/2009																										
△A0		NEW RELEASE	HZF	01/26/2007																										
PART No. FPVXXVZAR-H		MEI																												
DRAWING No. FPVXXVZAR-H		HAO																												
SCALE	NONE	REV.	A3	UNIT mm																										
		CHECKED BY HZF																												
		DRAWING BY HAO																												



Recommended PCB Layout



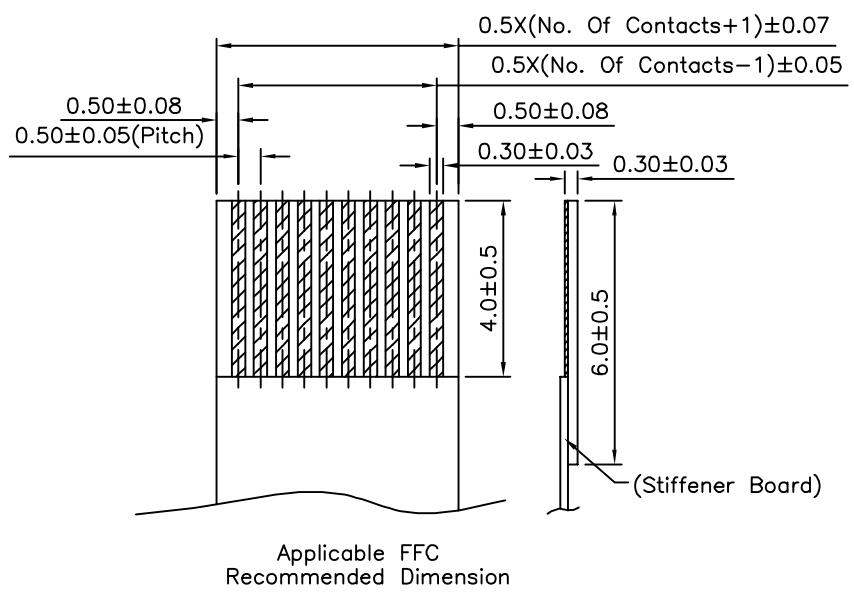
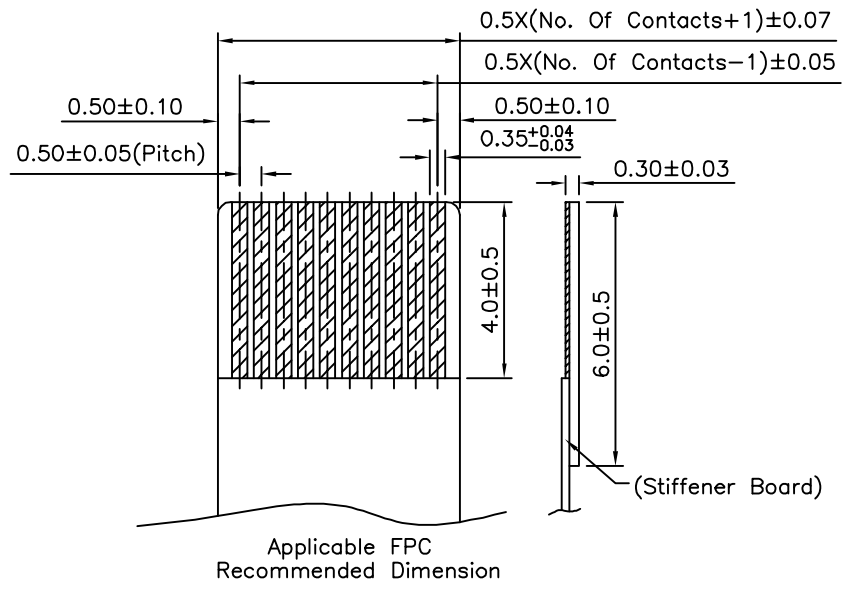
Section B-B

AUK A MEMBER OF AUK GROUP
太聯事業股份有限公司
AUK CONTRACTORS CO., LTD.

CATEGORY		APPROVED BY		UNLESS OTHERWISE SPECIFIED TOLERANCES ARE .X ±0.35 .XX ±0.20 ANG.
PART No. FPVXXVZAR-H		MEI		
DRAWING No. FPVXXVZAR-H		HZF		
SCALE NONE		HAO		
REV.	A3	UNIT mm		

NO.	REV.	REVISIONS	CHK	DATE
△A3		Modify Data	HZF	12/05/2014
△A2		Modify Data	HZF	11/11/2011
△A1		Modify Data	HZF	05/19/2009
△A0		NEW RELEASE	HZF	01/26/2007

File No.	594EL05802				SHEET 3/3	
Pin	A	B	C	D	E	
4	6.20	7.50	1.50	2.62	1.50	
5	6.70	8.00	2.00	3.12	2.00	
6	7.20	8.50	2.50	3.62	2.50	
7	7.70	9.00	3.00	4.12	3.00	
8	8.20	9.50	3.50	4.62	3.50	
9	8.70	10.00	4.00	5.12	4.00	
10	9.20	10.50	4.50	5.62	4.50	
11	9.70	11.00	5.00	6.12	5.00	
12	10.20	11.50	5.50	6.62	5.50	
13	10.70	12.00	6.00	7.12	6.00	
14	11.20	12.50	6.50	7.62	6.50	
15	11.70	13.00	7.00	8.12	7.00	
16	12.20	13.50	7.50	8.62	7.50	
17	12.70	14.00	8.00	9.12	8.00	
18	13.20	14.50	8.50	9.62	8.50	
19	13.70	15.00	9.00	10.12	9.00	
20	14.20	15.50	9.50	10.62	9.50	
21	14.70	16.00	10.00	11.12	10.00	
22	15.20	16.50	10.50	11.62	10.50	
23	15.70	17.00	11.00	12.12	11.00	
24	16.20	17.50	11.50	12.62	11.50	
25	16.70	18.00	12.00	13.12	12.00	
26	17.20	18.50	12.50	13.62	12.50	
27	17.70	19.00	13.00	14.12	13.00	
28	18.20	19.50	13.50	14.62	13.50	
29	18.70	20.00	14.00	15.12	14.00	
30	19.20	20.50	14.50	15.62	14.50	
31	19.70	21.00	15.00	16.12	15.00	
32	20.20	21.50	15.50	16.62	15.50	
33	20.70	22.00	16.00	17.12	16.00	
34	21.20	22.50	16.50	17.62	16.50	
35	21.70	23.00	17.00	18.12	17.00	
36	22.20	23.50	17.50	18.62	17.50	
37	22.70	24.00	18.00	19.12	18.00	
38	23.20	24.50	18.50	19.62	18.50	
39	23.70	25.00	19.00	20.12	19.00	
40	24.20	25.50	19.50	20.62	19.50	
41	24.70	26.00	20.00	21.12	20.00	
42	25.20	26.50	20.50	21.62	20.50	
43	25.70	27.00	21.00	22.12	21.00	
44	26.20	27.50	21.50	22.62	21.50	
45	26.70	28.00	22.00	23.12	22.00	
46	27.20	28.50	22.50	23.62	22.50	
47	27.70	29.00	23.00	24.12	23.00	
48	28.20	29.50	23.50	24.62	23.50	
49	28.70	30.00	24.00	25.12	24.00	
50	29.20	30.50	24.50	25.62	24.50	
51	29.70	31.00	25.00	26.12	25.00	
52	30.20	31.50	25.50	26.62	25.50	
53	30.70	32.00	26.00	27.12	26.00	
54	31.20	32.50	26.50	27.62	26.50	
55	31.70	33.00	27.00	28.12	27.00	
56	32.20	33.50	27.50	28.62	27.50	
57	32.70	34.00	28.00	29.12	28.00	
58	33.20	34.50	28.50	29.62	28.50	
59	33.70	35.00	29.00	30.12	29.00	
60	34.20	35.50	29.50	30.62	29.50	



A MEMBER OF AUK GROUP
太聯事業股份有限公司
AUK CONTRACTORS CO., LTD.

CATEGORY		APPROVED BY		UNLESS OTHERWISE SPECIFIED TOLERANCES ARE .X ± 0.35 .XX ± 0.20 ANG.
PART No. FPVXXVZAR-H		MEI		
DRAWING No. FPVXXVZAR-H		CHECKED BY HZF		
SCALE NONE		DRAWING BY HAO		
REV.	A3	UNIT mm		

	A3	Modify Data	HZF	12/05/2014
	A2	Modify Data	HZF	11/11/2011
	A1	Modify Data	HZF	05/19/2009
	A0	NEW RELEASE	HZF	01/26/2007
NO. REV.	REVISIONS		CHK	DATE