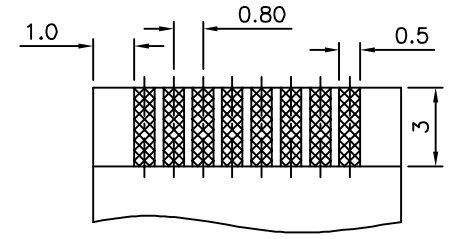
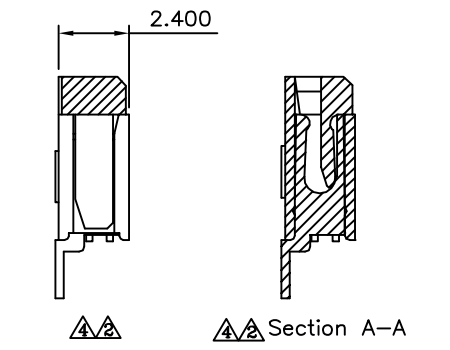
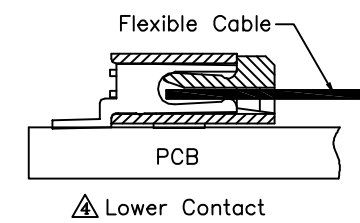


Recommended P.C.B. Layout



FPC/FPC Dimension Thickness: 0.300 ± 0.05 mm



Lower Contact

- △ SPECIFICATION**
- 1. General Characteristics
0.8mm FPC XFP SMT 90° ZIF Bottom Contact
 - 2. Material & Finish
 - △ Latch: PA46(UL94V-0), Black
 - △ Housing: LCP(UL94V-0), Nature
 - Contact: Phosphor Bronze, Tin Plated Over Nickel
 - 3. Electrical Characteristics
 - Current Rating: 0.5 Amp AC/DC
 - Voltage Rating: 50V AC/DC
 - Contact Resistance: 20 Milliohms Max.
 - Insulation Resistance: 500 Megaohms Min. @500V DC
 - 4. Environmental Characteristics
Operation Temperature: -40°C ~ +105°C
 - 5. RoHS Compliant

- △ FPE XX W Z B - H**
- (1) (2) (3) (4) (5) (6)
- (1) FPE: 0.8mm FPC/FFC
 - (2) XX: No. Of Position/Per Row
 - (3) W: SMT Right Angle
 - (4) Z: ZIF Type
 - (5) B: Bottom Contact
 - (6) H: RoHS Compliant

△△△		Pin	A	B	Pin	A	B
04		9.50	8.20	19	21.50	20.20	
05		10.30	9.00	20	22.30	21.00	
06		11.10	9.80	*21	23.10	21.80	
07		11.90	10.60	*22	23.90	22.60	
*08		12.70	11.40	*23	24.70	23.40	
*09		13.50	12.20	24	25.50	24.20	
*10		14.30	13.00	*25	26.30	25.00	
11		15.10	13.80	*26	27.10	25.80	
*12		15.90	14.60	*27	27.90	26.60	
13		16.70	15.40	*28	28.70	27.40	
*14		17.50	16.20	29	29.50	28.20	
15		18.30	17.00	*30	30.30	29.00	
16		19.10	17.80	31	31.10	29.80	
17		19.90	18.60	32	31.90	30.60	
*18		20.70	19.40				

The Mark Of "*" Are Toolled Already

AUK A MEMBER OF AUK GROUP
太聯事業股份有限公司
AUK CONTRACTORS CO., LTD.

CATEGORY		APPROVED BY		UNLESS OTHERWISE SPECIFIED TOLERANCES ARE △ .X ±0.25 △ .XX ±0.20 △ .XXX ±0.10 ANG. ±2°
PART No. FPEXXWZB-H		EMILY		
DRAWING No. FPEXXWZB-H		CHECKED BY HZF		
		DRAWING BY CYP		
SCALE	NONE	REV.	B4	UNIT mm

△ B4	Modify Data	HZF	05/05/2015
△ B3	Modify Data	HZF	04/15/2015
△ B2	Modify Data	HZF	02/21/2013
△ B1	Modify Data	HZF	07/29/2011
△ B0	NEW RELEASE	HZF	05/16/2009
NO. REV.	REVISIONS	CHK	DATE