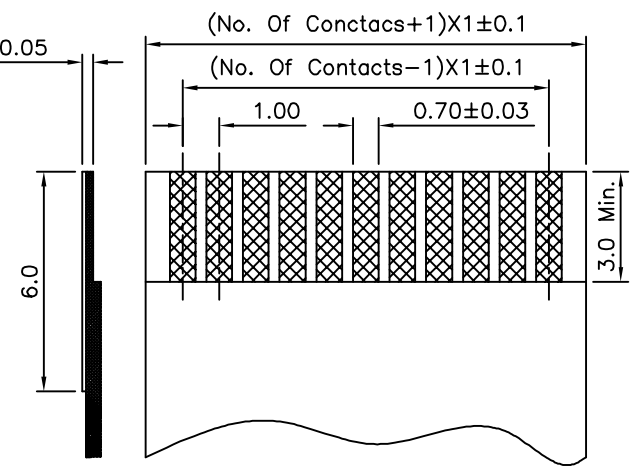
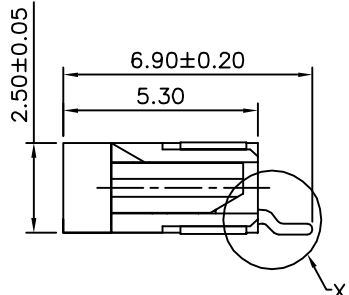
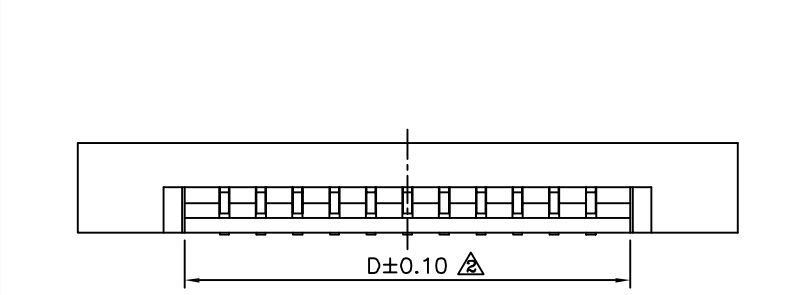
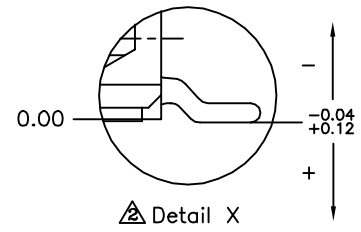
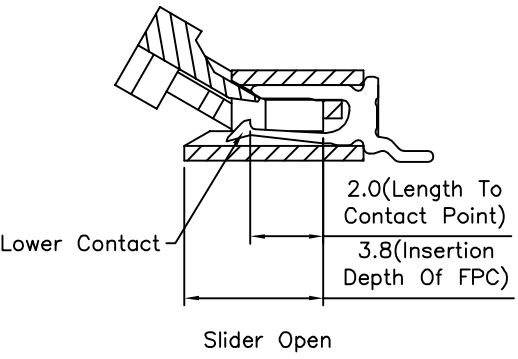
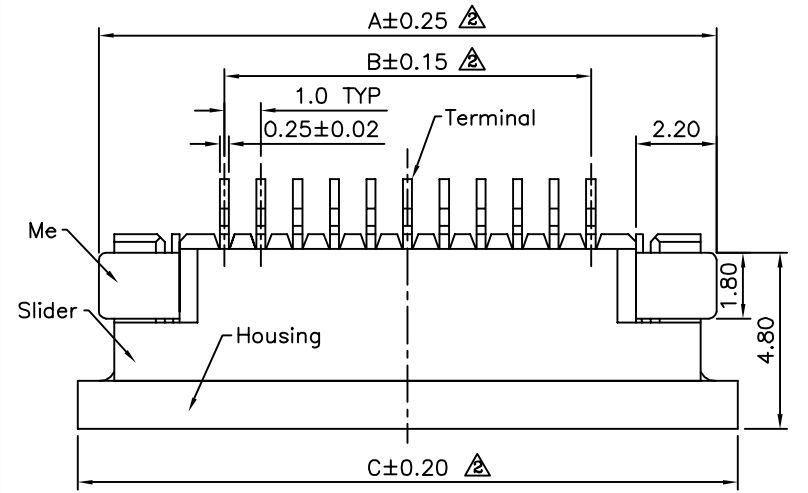


Recommended P.C.B. Layout



(Applicable FPC/FFC)

- △△ SPECIFICATION**
- General Characteristics**
1.0mm FPC XFP SMT 90° ZIF Bottom Contact
 - Material&Finish**
Housing:PA9T(UL94V-0),Ivory
Slider:PPS(UL94V-0),Black
Terminal:Phosphor Bronze
Tin Plated Over Nickel
Me:Brass,Tin Alloy Plated
 - Electrical Characteristics**
Operating Voltage:100V AC Max.
Current Rating:0.5 Amp Max.
Contact Resistance:30 Milliohms Max.
Insulation Resistance:500 Megaohms Min.
Dielectric Voltage:500V AC RMS
 - Environmental Characteristics**
Operation Temperature:-40°C~+85°C
 - Other**
Accommodated FFC/FPC Thickness:0.25~0.35mm
 - RoHS Compliant**



Pin	A	B	C	D	E	Pin	A	B	C	D	E
04	10.00	3.00	11.00	5.05	3.00	20	26.00	19.00	27.00	21.05	19.00
05	11.00	4.00	12.00	6.05	4.00	21	27.00	20.00	28.00	22.05	20.00
06	12.00	5.00	13.00	7.05	5.00	22	28.00	21.00	29.00	23.05	21.00
07	13.00	6.00	14.00	8.05	6.00	23	29.00	22.00	30.00	24.05	22.00
08	14.00	7.00	15.00	9.05	7.00	24	30.00	23.00	31.00	25.05	23.00
09	15.00	8.00	16.00	10.05	8.00	25	31.00	24.00	32.00	26.05	24.00
10	16.00	9.00	17.00	11.05	9.00	26	32.00	25.00	33.00	27.05	25.00
11	17.00	10.00	18.00	12.05	10.00	27	33.00	26.00	34.00	28.05	26.00
12	18.00	11.00	19.00	13.05	11.00	28	34.00	27.00	35.00	29.05	27.00
13	19.00	12.00	20.00	14.05	12.00	29	35.00	28.00	36.00	30.05	28.00
14	20.00	13.00	21.00	15.05	13.00	30	36.00	29.00	37.00	31.05	29.00
15	21.00	14.00	22.00	16.05	14.00	31	37.00	30.00	38.00	32.05	30.00
16	22.00	15.00	23.00	17.05	15.00	32	38.00	31.00	39.00	33.05	31.00
17	23.00	16.00	24.00	18.05	16.00	33	39.00	32.00	40.00	34.05	32.00
18	24.00	17.00	25.00	19.05	17.00	34	40.00	33.00	41.00	35.05	33.00
19	25.00	18.00	26.00	20.05	18.00						

AUK A MEMBER OF AUK GROUP
太聯事業股份有限公司
AUK CONTRACTORS CO., LTD.

CATEGORY		APPROVED BY		UNLESS OTHERWISE SPECIFIED TOLERANCES ARE .XX ±0.25
PART No. FPAXXWZB-H		EMILY		
DRAWING No. FPAXXWZB-H		CHECKED BY HZF		
		DRAWING BY WSS		
SCALE	NONE	REV.	A2	UNIT mm

NO.	REV.	REVISIONS	CHK	DATE
△A2		Modify Data	HZF	06/17/2011
△A1		Modify Data	SHIN	01/09/2007
△A0		NEW RELEASE	HZF	05/11/2006