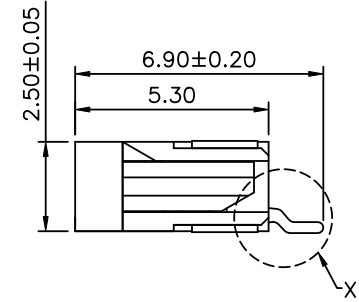
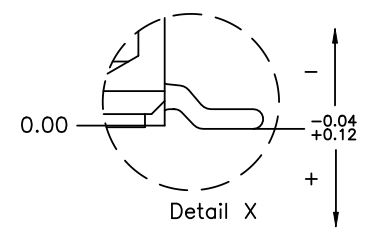
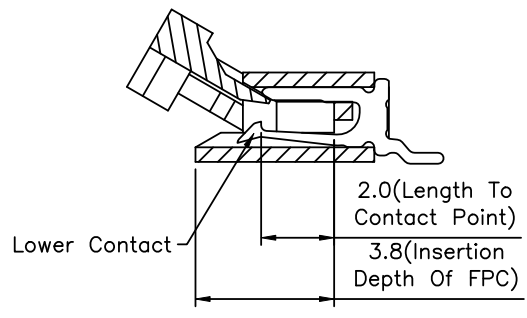
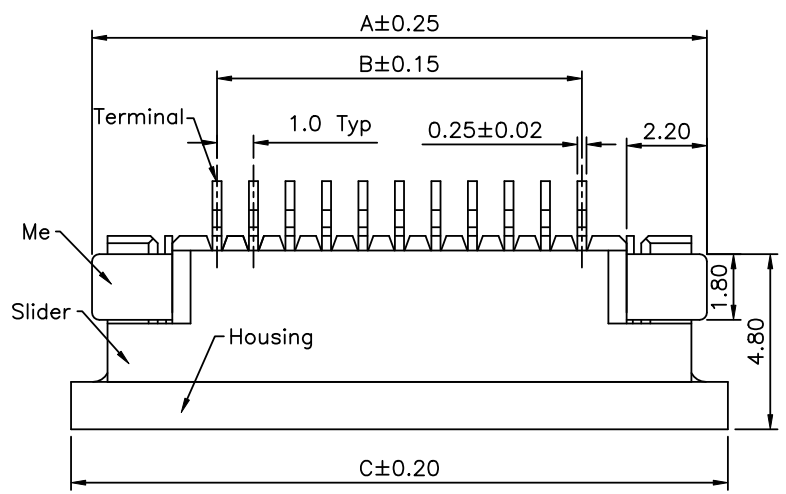
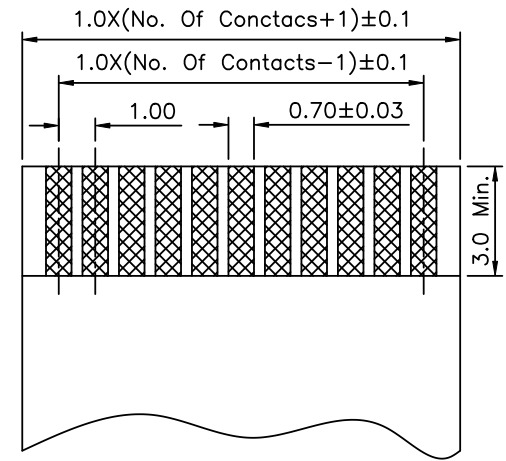
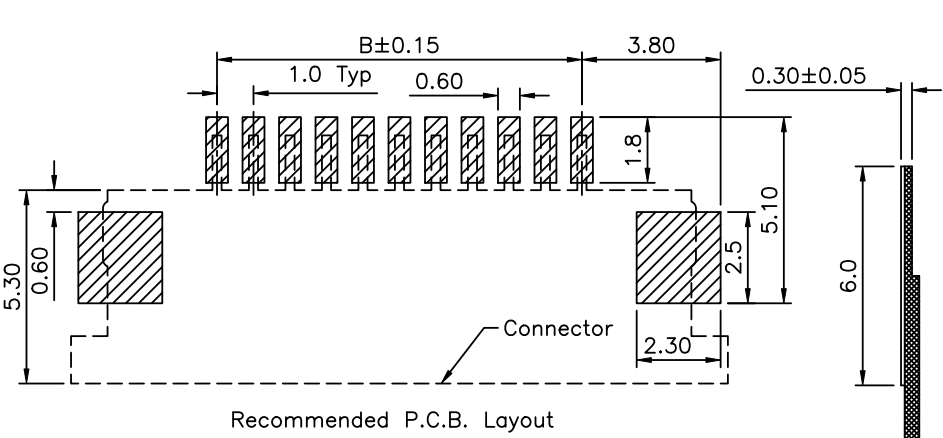


**SPECIFICATION**

- General Characteristics**  
1.0mm FPC XFP SMT 90° ZIF Bottom  
Contact Tape&Reel 1500 PCS/Reel
- Material&Finish**  
Housing:PA9T(UL94V-0),Ivory  
Slider:PPS(UL94V-0),Black  
Terminal:Phosphor Bronze,Tin Plated Over Nickel  
Me:Brass,Tin Plated Over Nickel
- Electrical Characteristics**  
Operating Voltage:100V AC Max.  
Current Rating:0.5 Amp Max.  
Contact Resistance:30 Milliohms Max.  
Insulation Resistance:500 Megaohms Min.  
Withstand Voltage:500V AC RMS
- Environmental Characteristics**  
Operation Temperature:-40°C~+85°C  
Processing Temperature:260°C±5°C For 30s
- RoHS Compliant**



- FPA XX W Z B - R1K5 - H  
(1) (2) (3) (4) (5) (6) (7)
- (1) FPA:1.0mm FPC/FFC
  - (2) XX:No. Of Position
  - (3) W:SMT Right Angle
  - (4) Z:ZIF Type
  - (5) B:Bottom Contact
  - (6) R1K5:Tape&Reel 1500 PCS/Reel
  - (7) H:RoHS Compliant

Pin	A	B	C	D
*04	10.00	3.00	11.00	5.05
*05	11.00	4.00	12.00	6.05
*06	12.00	5.00	13.00	7.05
*07	13.00	6.00	14.00	8.05
*08	14.00	7.00	15.00	9.05
*09	15.00	8.00	16.00	10.05
*10	16.00	9.00	17.00	11.05
11	17.00	10.00	18.00	12.05
12	18.00	11.00	19.00	13.05
13	19.00	12.00	20.00	14.05
14	20.00	13.00	21.00	15.05
*15	21.00	14.00	22.00	16.05
*16	22.00	15.00	23.00	17.05
17	23.00	16.00	24.00	18.05
*18	24.00	17.00	25.00	19.05
*19	25.00	18.00	26.00	20.05
20	26.00	19.00	27.00	21.05
21	27.00	20.00	28.00	22.05
*22	28.00	21.00	29.00	23.05
23	29.00	22.00	30.00	24.05
24	30.00	23.00	31.00	25.05
25	31.00	24.00	32.00	26.05
26	32.00	25.00	33.00	27.05
*27	33.00	26.00	34.00	28.05
28	34.00	27.00	35.00	29.05
29	35.00	28.00	36.00	30.05
*30	36.00	29.00	37.00	31.05
31	37.00	30.00	38.00	32.05
32	38.00	31.00	39.00	33.05
33	39.00	32.00	40.00	34.05
34	40.00	33.00	41.00	35.05

The Mark Of "\*" Are Reel Tooled Already

**AUK** A MEMBER OF AUK GROUP  
**太聯事業股份有限公司**  
**AUK CONTRACTORS CO., LTD.**

CATEGORY		APPROVED BY		UNLESS OTHERWISE SPECIFIED TOLERANCES ARE  .XX ±0.25
PART No. FPAXXWZB-R1K5-H		MEI		
DRAWING No. FPAXXWZB-R1K5-H		HZF		
SCALE		CYP		
NONE	REV.	B4	UNIT	mm

NO.REV.	REVISIONS	CHK	DATE
B4	Modify Data	HZF	03/01/2017
B3	Modify Data	HZF	05/07/2015
B2	Modify Data	HZF	12/18/2014
B1	Modify Data	HZF	04/14/2014
B0	NEW RELEASE	HZF	02/05/2014