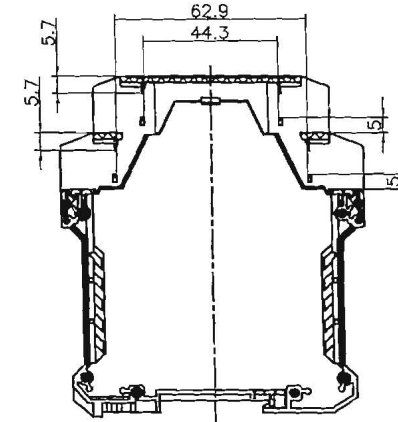
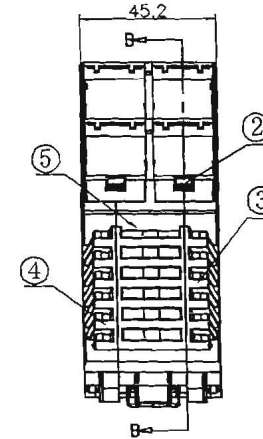
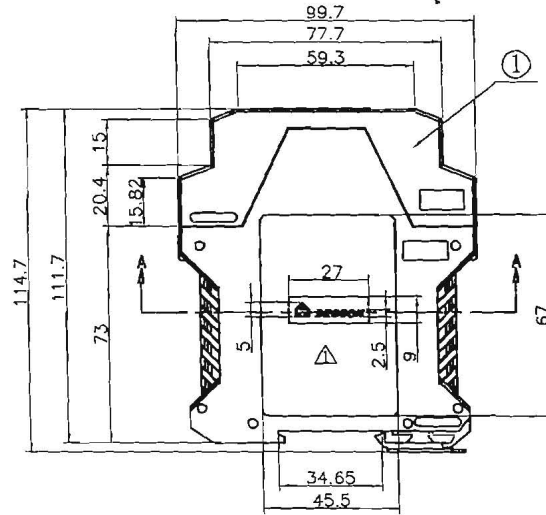
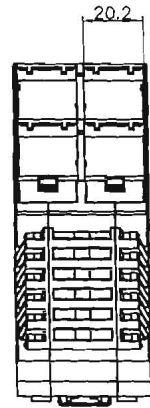
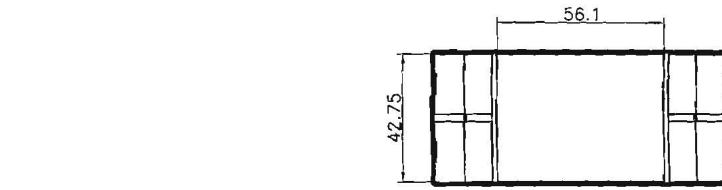


REVISION RECORD				
REV	ECO	DESCRIPTION	DRFT	DATE
△	13-005	增加零件及更改	JEX	06/19/13

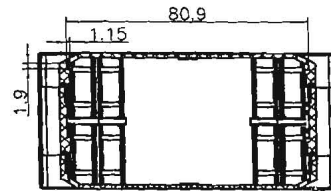
Notes:

- Housing: PA66 UL94V-0
- Undimensioned Tolerances:

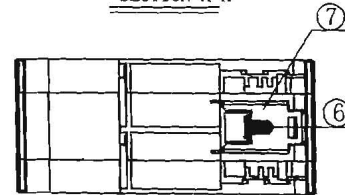
Pitch range in mm		Nominal dimension range in mm					
over 6 to 10	over 10 to 24	over 30 to 60	over 60 to 100	over 100 to 150	over 150		
±0.10	±0.15	±0.25	±0.2	±0.3	±0.5	±0.7	
						±1	
						0.05/0.1	



SECTION B-B



SECTION A-A



ITEM	NAME OF PART	NO. OF PART	Q'TY	MATERIAL	NOTES
7	FMET-04P-Fixer	X000003340 (H)	1	Steel	Cr ³⁺ Zn
6	PC50-Spring	X000001800 (H)	1	Spring steel	Ni plated
5	FMET-08P-Mid Housing	8005A0Y08A (H)	1	PA66	UL94V-0
4	FMET-04P-L Housing	8003A0Y04V (H)	1	PA66	UL94V-0
3	FMET-04P-R Housing	8003A0Y04C (H)	1	PA66	UL94V-0

2	FMET-04P-T Clasp	8003D0Y04A (H)	4	PA66	UL94V-0
1	FMET-08P-T Housing	8005C0Y08A (H)	1	PA66	UL94V-0

MM (INCH)	DFTD YHG	DATE
TOLERANCES EXCEPT AS NOTED	CHKD	DATE
	INFO	DATE
	APPLY	DATE

宁波高正电子有限公司 DEGSON ELECTRONICS CO., LTD	
NAME	
FMET-08P-1Y-00A(H)	
DRAWING NO. FMET-08P-E01	SIZE
/PART NO.	A4
DO NOT SCALE DRAWING	SHEET 1 OF 1

