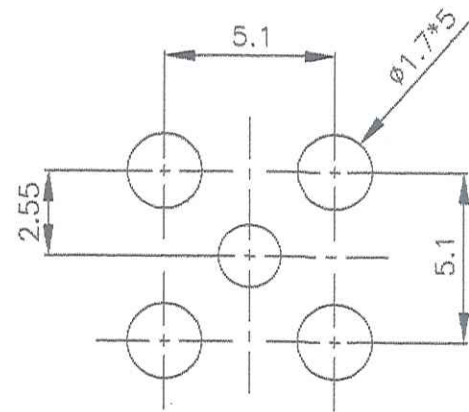
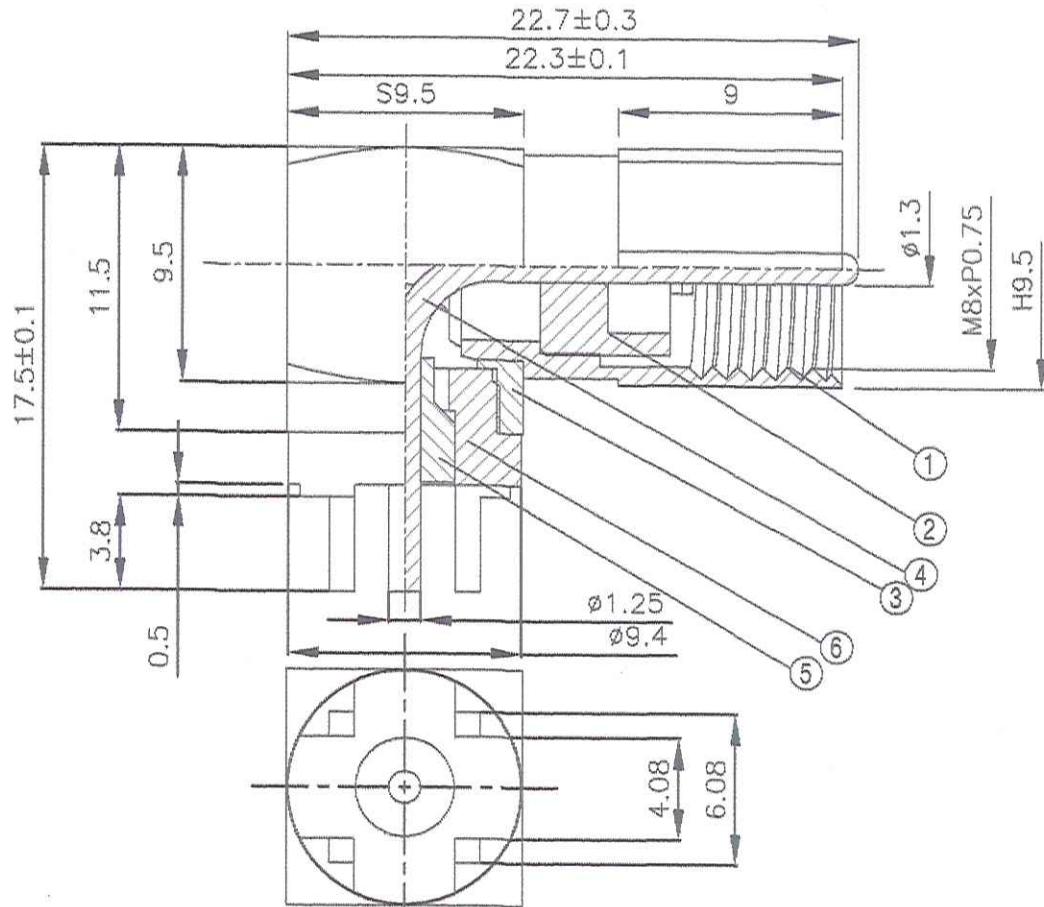
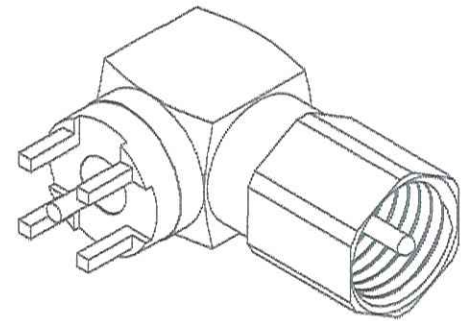
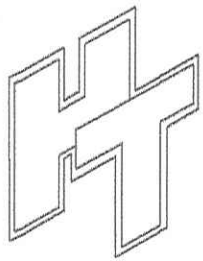


NO	DESCRIPTION	MATERIAL	Q'TY	FINISH	REMARK
1	BODY 1	BRASS	2	NICKEL	B-FME0322-N
2	INSULATION 1	DELFIN	2	DELFIN	I-0066D
3	BODY 2	BRASS	1	NICKEL	B-FME1664-N
4	PIN	BRASS	1	GOLD	P-FME1182-G
5	INSULATION 2	TEFLON	2	TEFLON	I-0127T
6	BODY 3	BRASS	1	NICKEL	B-FME1759-N



PC MOUNTING



HUS-TSAN GROUP CO., LTD.

P.O. BOX 40-76, TAINAN, TAIWAN, R.O.C.

TITLE  
FME MALE ANGLE PCB MOUNT

PART NO.  
FME-67-TGN

DRAWING NO.  
FME 67 TGN

DRAWN	MARY	DATE	99.11.24
CHECKED	蘇志欣	DATE	
Q.A.	蘇姿潔	DATE	
APPROVAL	徐燦霖	DATE	
REVISION		DATE	

DIMENSIONS ARE IN MILLIMETERS			
UNLESS OTHERWISE SPECIFIED TOLERANCE			
0.5-5=±0.2	120-315=±1		
5-30=±0.4	315-1000=±1.6		
30-120=±0.6	1000-2000=±2.4		

SCALE 4:1 SIZE A

REVISION

DESCRIPTION	ENGINEER