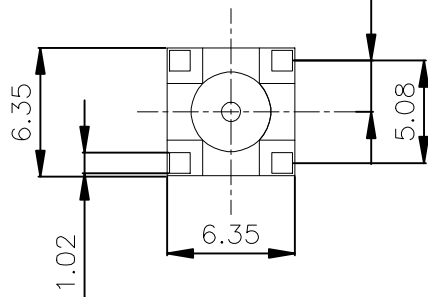
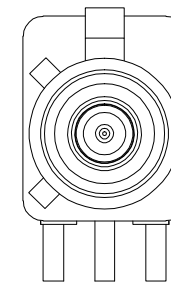
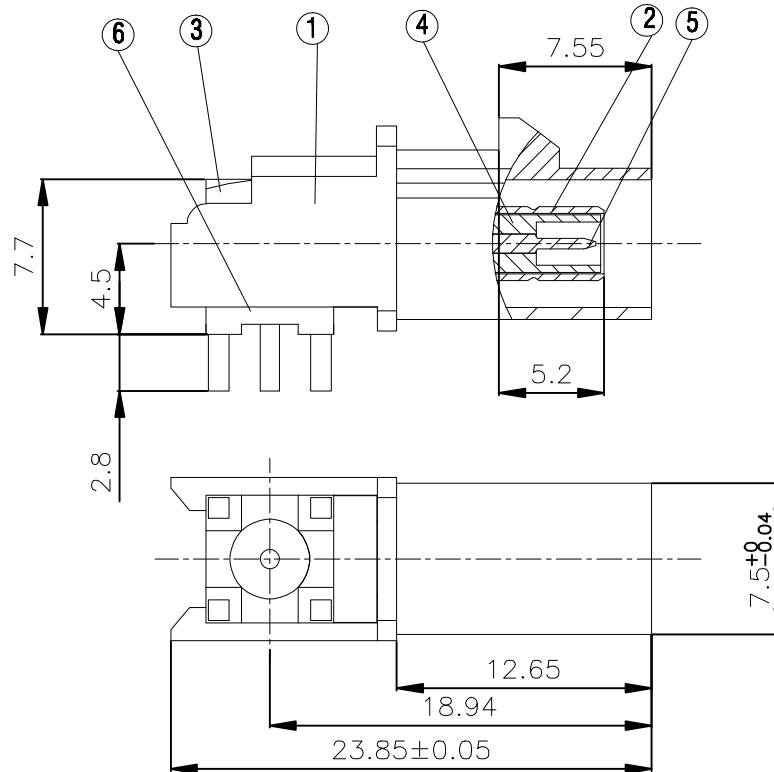
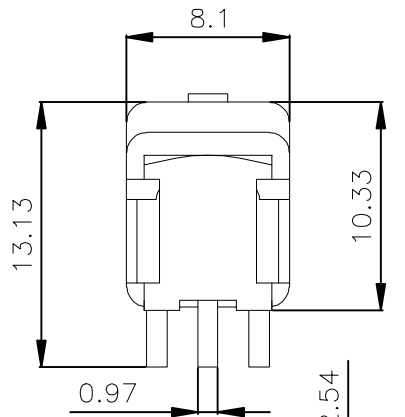
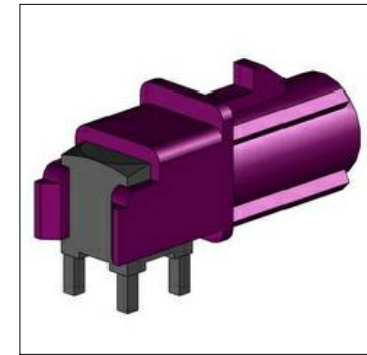
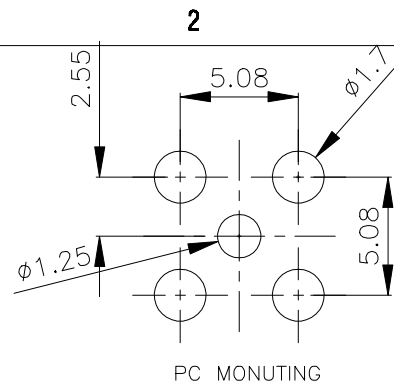
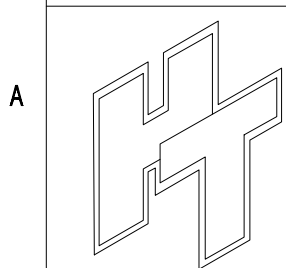


NO	DESCRIPTION	MATERIAL	Q'TY	FINISH	REMARK
1	BODY 1	PBT	1	PBT	B-FKR1530-D44
2	BODY 2	BRASS	1	NICKEL	B-FKR1536-N
3	BODY 3	BRASS	1	NICKEL	B-FKR0457-N
4	INSULATION 1	TEFLON	1	TEFLON	I-0698T
5	PIN	PH.BRONZE	1	GOLD	P-FKR0581-G
6	INSULATION 1	TEFLON	1	TEFLON	I-0563T



Nominal voltage: 335V



**HUS-TSAN GROUP CO., LTD.**  
P.O.BOX 40-76.TAINAN.TAIWAN,R.O.C.

TITLE FAKRA PLUG PCB MOUNT  
BORDEAUX-VIOLET/D4004 Series FKR-06

PART NO. **FKR-06V4-TGNPD**

DRAWING NO. **FKR 06V4 TGNPD**

DRAWN	蘇姿潔	DATE	99.01.13
CHECKED	蘇志欣	DATE	
Q.A.	林妙樺	DATE	
APPROVAL	徐燦霖	DATE	
REVISION		DATE	

DIMENSIONS ARE IN MILLIMETERS			
UNLESS OTHERWISE SPECIFIED TOLERANCE			
0.5-5=±0.2	120-315=±1		
5-30=±0.4	315-1000=±1.6		
30-120=±0.6	1000-2000=±2.4		

SCALE	4:1	SIZE	A
-------	-----	------	---

REVISION	
DESCRIPTION	ENGINEER