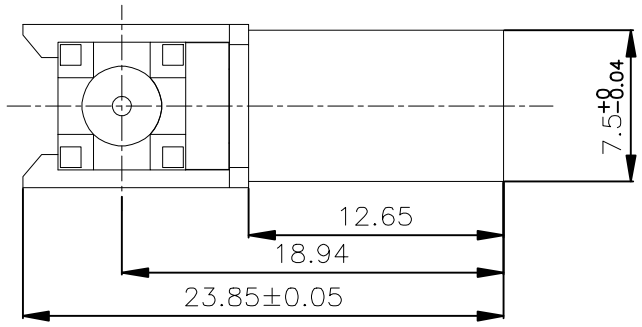
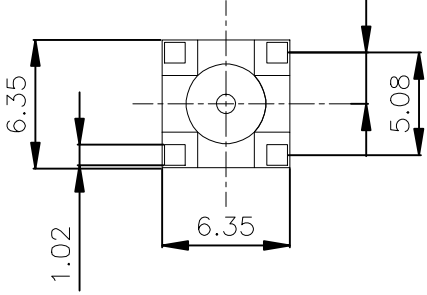
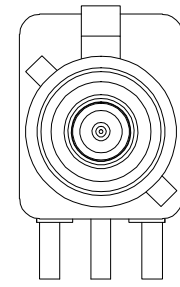
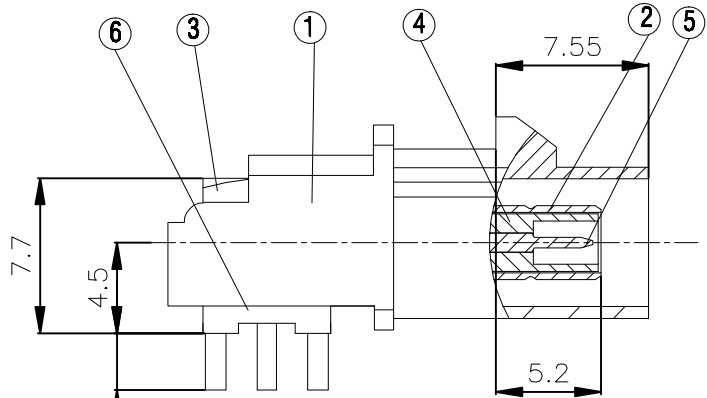
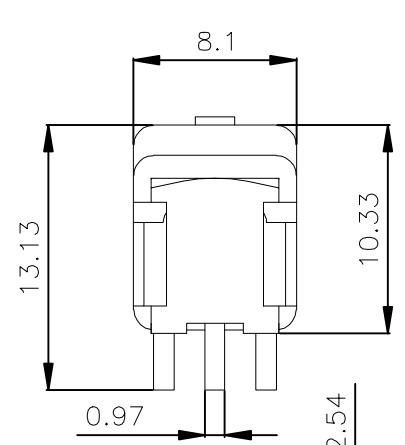
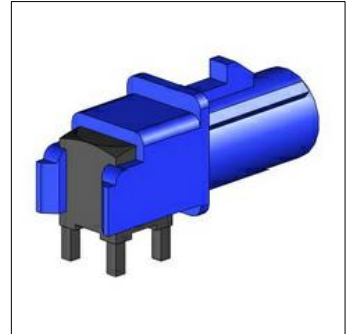
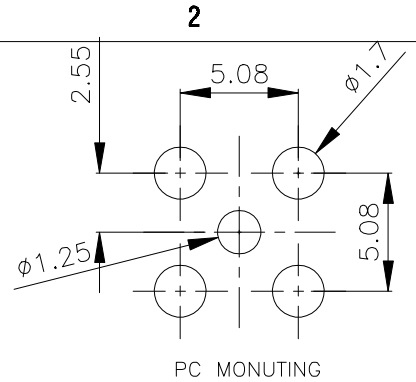


NO	DESCRIPTION	MATERIAL	Q'TY	FINISH	REMARK
1	BODY 1	PBT	1	PBT	B-FKR1530-C55
2	BODY 2	BRASS	1	NICKEL	B-FKR1536-N
3	BODY 3	BRASS	1	NICKEL	B-FKR0457-N
4	INSULATION 1	TEFLON	1	TEFLON	I-0698T
5	PIN	PH.BRONZE	1	GOLD	P-FKR0581-G
6	INSULATION 1	TEFLON	1	TEFLON	I-0563T



Nominal voltage: 335V

	HUS-TSAN GROUP CO., LTD. P.O.BOX 40-76.TAINAN.TAIWAN,R.O.C.		DRAWN 蘇姿潔 DATE 99.01.13	DIMENSIONS ARE IN MILLIMETERS			REVISION	
	TITLE FAKRA PLUG PCB MOUNT BLUE/C5005藍色 Series FKR-06		CHECKED 蘇志欣 DATE	UNLESS OTHERWISE SPECIFIED TOLERANCE			DESCRIPTION	ENGINEER
	PART NO. FKR-06V4-TGNPC		Q.A. 林妙樺 DATE	0.5-5=±0.2 120-315=±1				
	DRAWING NO. FKR 06V4 TGNPC		APPROVAL 徐燦霖 DATE	5-30=±0.4 315-1000=±1.6				
			REVISION DATE	30-120±0.6 1000-2000=±2.4	SCALE	4:1	SIZE	A