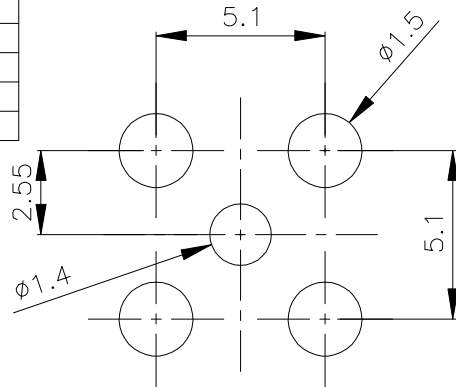
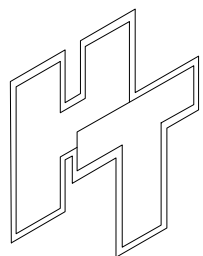
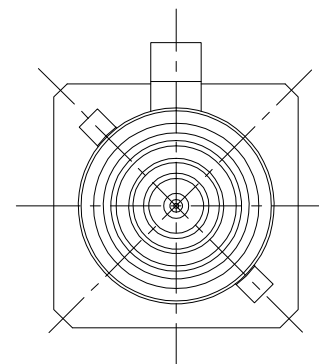
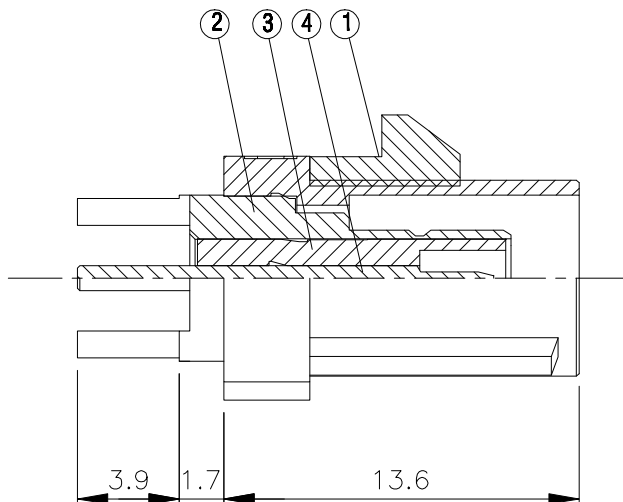
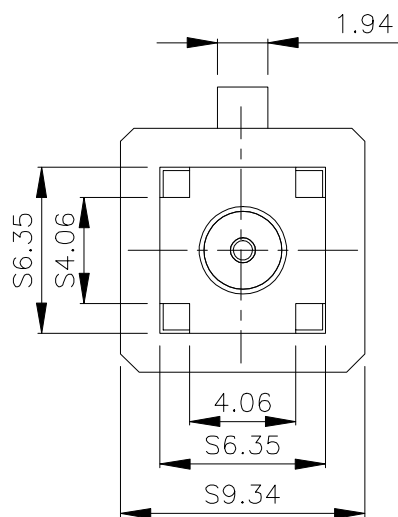
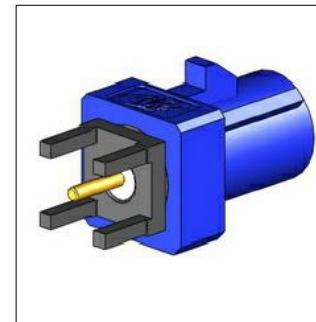


NO	DESCRIPTION	MATERIAL	Q'TY	FINISH	REMARK
1	BODY 1	PBT	1	PBT	B-FKR1350-C55
2	BODY 2	BRASS	1	NICKEL	B-FKR0959
3	INSULATION	TEFLON	1	TEFLON	I-0525T
4	PIN	PH.BRONZE	1	GOLD	P-SMB0760-G



PC MONUTING



HUS-TSAN GROUP CO., LTD.

P.O.BOX 40-76.TAINAN.TAIWAN,R.O.C.

TITLE FKR MALE SURFACE MOUNT
BLUE/C5005藍色

PART NO. FKR-05V4-TGNPC

DRAWING NO. FKR-05V4-TGNPC

DRAWN 蘇姿潔 DATE 98.01.12

CHECKED 蘇志欣 DATE

Q.A. 林妙樺 DATE

APPROVAL 徐燦霖 DATE

REVISION DATE

DIMENSIONS ARE IN MILLIMETERS

UNLESS OTHERWISE SPECIFIED
TOLERANCE

0.5-5=±0.2	120-315=±1
5-30=±0.4	315-1000=±1.6
30-120=±0.6	1000-2000=±2.4

SCALE 4:1 SIZE A

REVISION

DESCRIPTION	ENGINEER