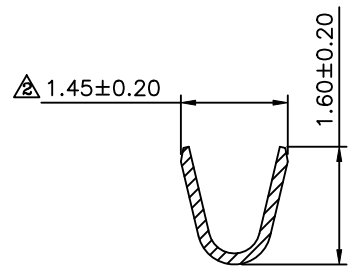
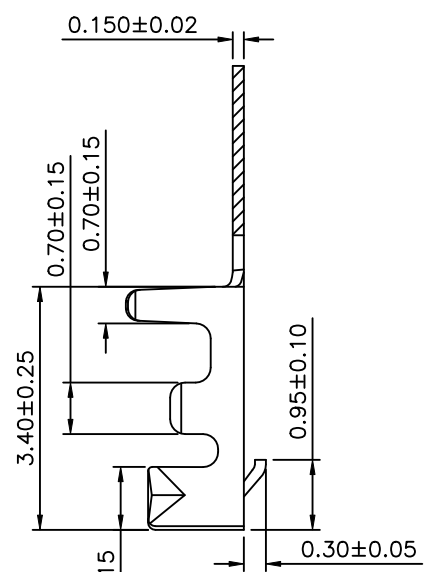
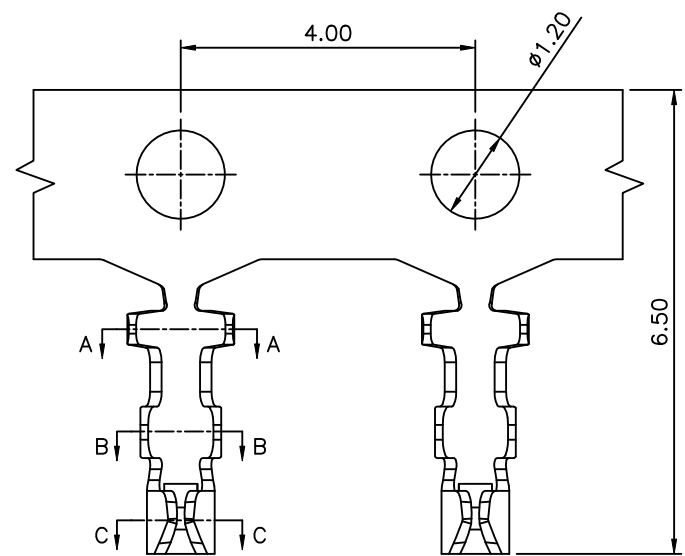
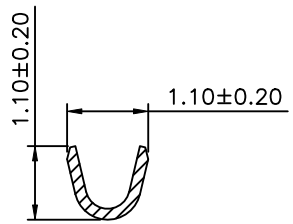


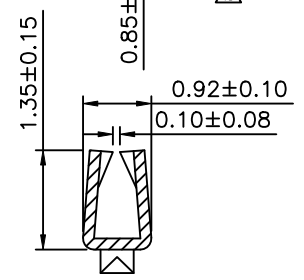
SPECIFICATION
 Current Rating:1.0A AC/DC
 Voltage Rating:125V AC/DC
 Withstanding Voltage:250V AC/Minute
 Insulation Resistance:100 Megaohms Min.
 Contact Resistance:20 Milliohms Max.
 Temperature Range:-25°C~+85°C
 Applicable Wire:AWG#28~#32
 Material:Phosphor Bronze,Tin Plated
 Q'ty:15000 PCS/Reel
 RoHS Compliant



Section A-A



Section B-B



Section C-C

- △△ FH T - R15K - H
 (1) (2) (3) (4)
 (1) FH:1.25mm FH Series
 (2) T:Female Terminal Tin Plated
 (3) R15K:Reel 15000 PCS/Reel
 (4) H:RoHS Compliant

AUK A MEMBER OF AUK GROUP
太聯事業股份有限公司
AUK CONTRACTORS CO., LTD.

CATEGORY		APPROVED BY		UNLESS OTHERWISE SPECIFIED TOLERANCES ARE X. ±0.30 .X ±0.25 .XX ±0.20 .XXX ±0.05 ANG. ±1°
PART No. △ FHT-R15K-H		MEI		
DRAWING No. FHT-R15K-H		CHECKED BY HZF		
		DRAWING BY CYP		
SCALE	NONE	REV.	A2	UNIT mm

NO.	REV.	REVISIONS	CHK	DATE
△ A2		Modify P/N:FHT-R10K-H --> FHT-R15K-H	HZF	01/05/2019
△ A1		Add P/N Code	HZF	12/26/2018
△ A0		NEW RELEASE	HZF	12/30/2015