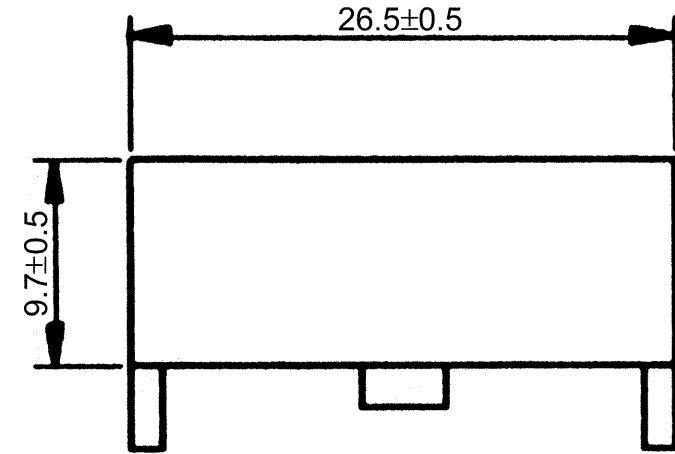
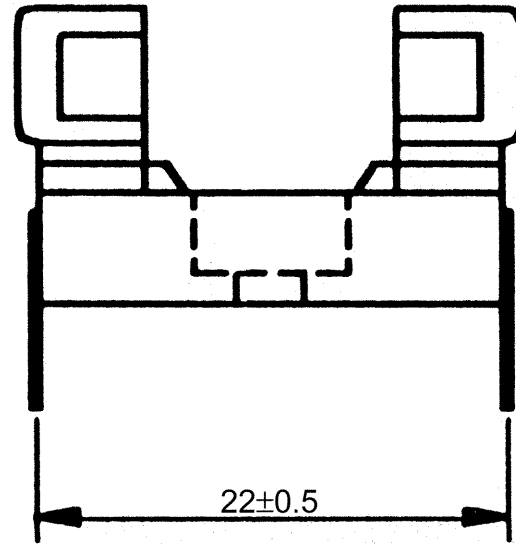
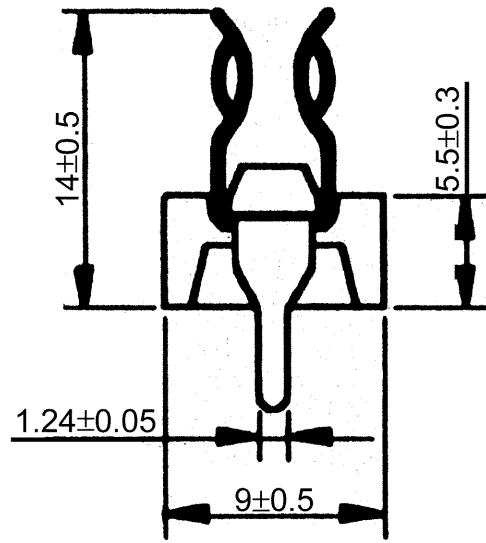


RoHS STANDARD

Drawing For Reference Only



Rating: 5A 250V
Matching Fuse: ϕ 5.2 x 20mm

Technical requirement :

- 1 . This product should meet EU RoHS related requirement.
- 2 . The surface of plastic part should be without any crackle such as burr,lack,and so on phenomenon.
- 3 . The surface of metal part should be without any defect such as scaur,nick,oxidation and plating problem.
- 4 . The electronic performance should be the same as spec.
- 5 . The un-specified tolerance is : $<6\pm 0.1$
 $6\sim 20\pm 0.2$
 $>20\pm 0.3$

DCI DRAGON CITY INDUSTRIES LIMITED

PART NAME	Fuse Holder For 5x20mm Fuse With Cover	TOLERANCE : \pm
PART NO.	FH-102C	UNIT: MM

DESIGN	K.W LAW	REMARK		SCALE	
DRAWING	W.K YEUNG	REMARK		MATERIAL	
CHECK	K.L WONG	REMARK		DWG. NO.	80109-1415
APPROVAL	K.W CHAN	REMARK		SHEET	