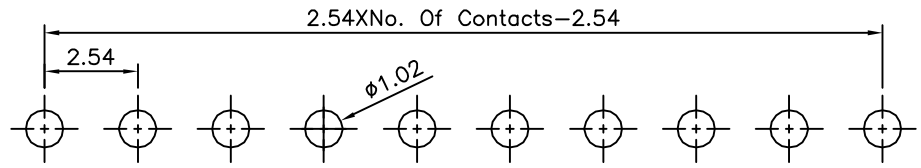
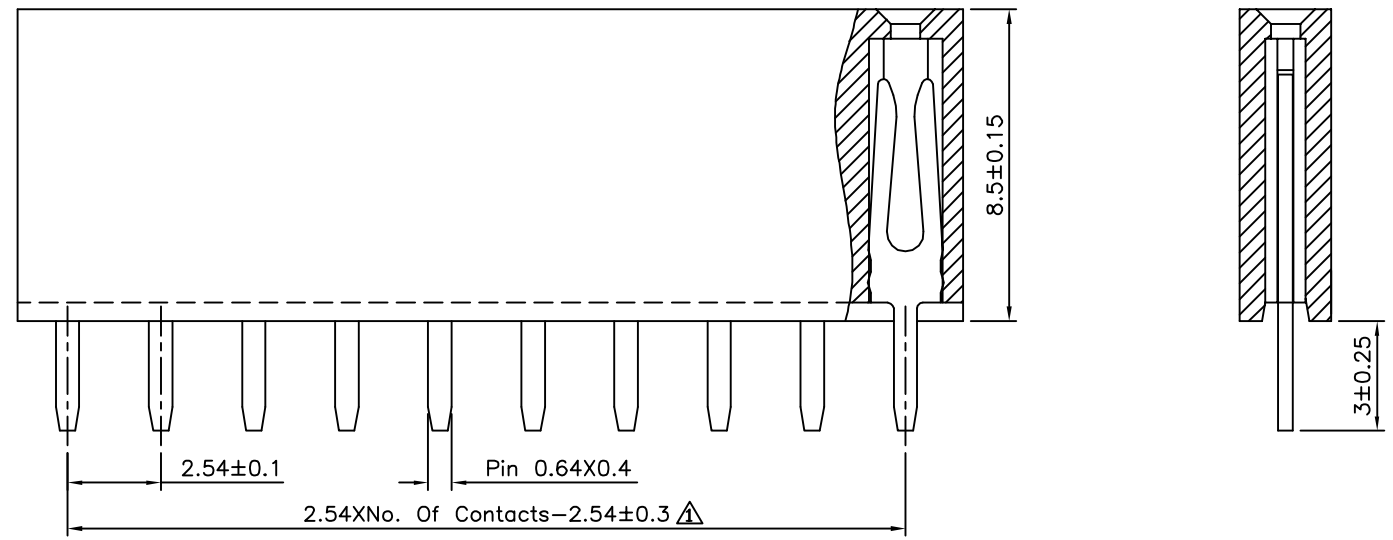
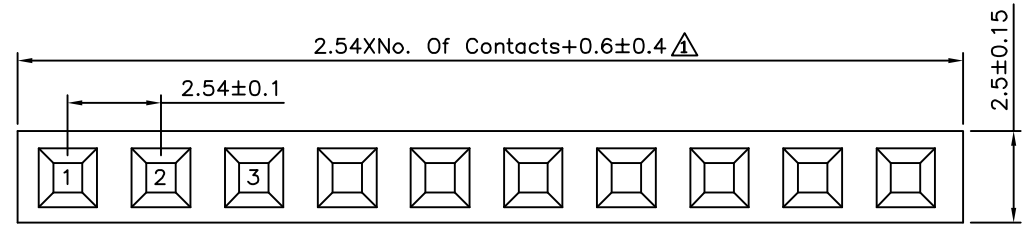


SPECIFICATION
 Current Rating:3 Amps
 ⚠ Withstand Voltage:1000V AC
 Contact Resistance:20 Milliohms Max.
 Insulation Resistance:1000 Megaohms Min.
 Operation Temperature:-40°C~+105°C
 Contact:Brass,Gold Flash Over Nickel
 Insulator:PA6T(UL94V-0),Black
 RoHS Compliant

- F D 1 X XX - H H
 (1) (2) (3) (4) (5) (6)
- (1) F:2.54mm Female Header
 - (2) D:DIP Straight
 - (3) 1:Single Row
 - (4) XX:No. Of Position/Per Row
 - (5) H:Withstand High Temperature Soldering
 - (6) H:RoHS Compliant



⚠ Recommended P.C.B. Layout(Top View)
 (PCB Board Tolerance ± 0.05)



AUK A MEMBER OF AUK GROUP
太聯事業股份有限公司
AUK CONTRACTORS CO., LTD.

CATEGORY		APPROVED BY EMILY		UNLESS OTHERWISE SPECIFIED TOLERANCES ARE X. ± 0.25 X.* $\pm 2'$.X ± 0.20 .X* $\pm 1.5'$.XX ± 0.15 .XX* $\pm 1'$.XXX ± 0.10 .XXX* $\pm 0.5'$
PART No. FD1XXX-HH		CHECKED BY HZF		
DRAWING No. FD1XXX-HH		DRAWING BY SAN		
SCALE	NONE	REV.	A1	
UNIT mm				NO.REV.

NO.	REV.	REVISIONS	CHK	DATE
⚠ A1		Modify Data	HZF	05/28/2014
⚠ A0		NEW RELEASE	HZF	04/04/2013