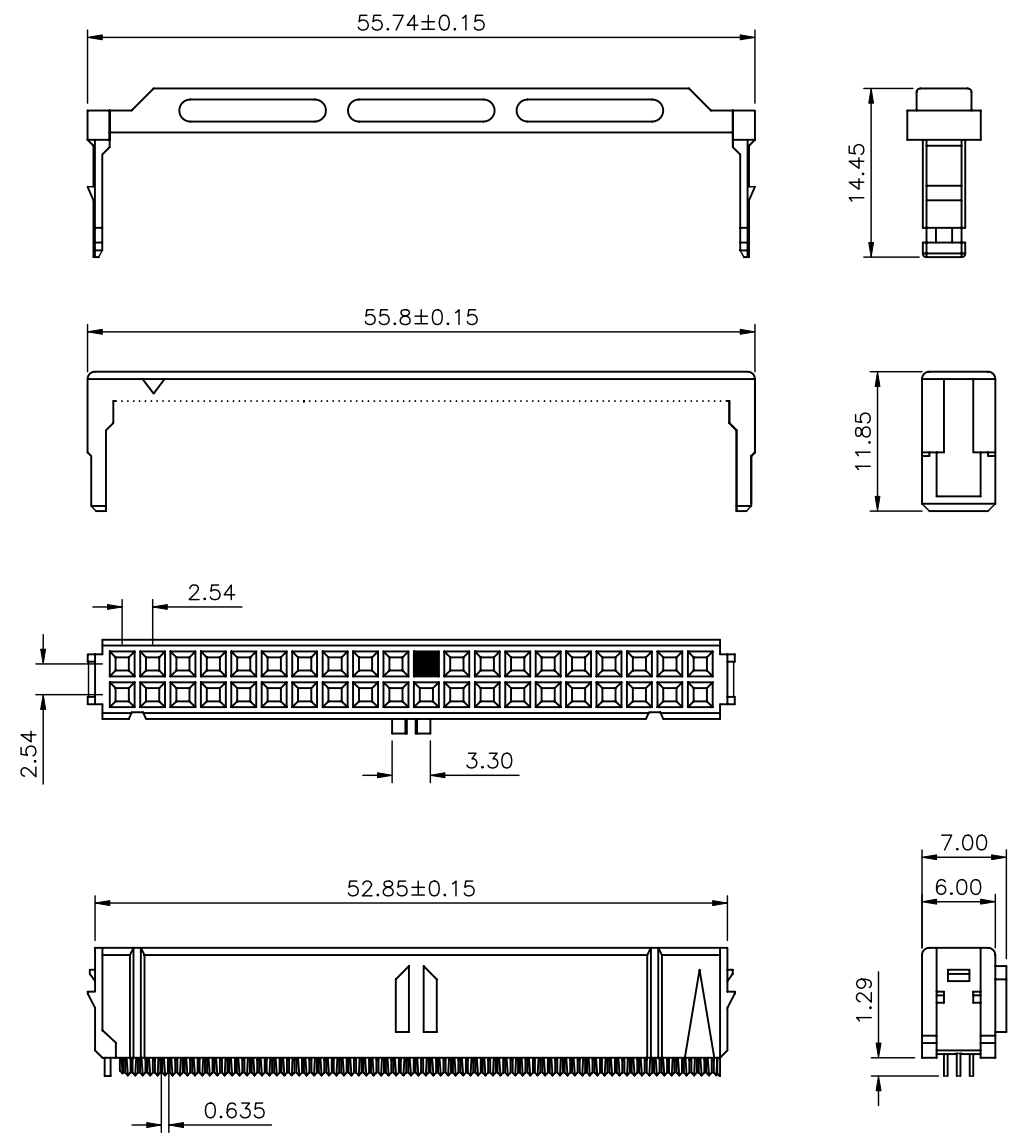


SPECIFICATIONS

Insulator: PBT25~30% G.F.  
 Contact: Bronze, Selective Gold Plated  
 Grounding Bar: Bronze, Nickel Plated.  
 Key 20 Pin  
 Full Pin  
 GND: #Pin2,19,22,24,26,30,40  
 RoHS Compliant



**AUK** A MEMBER OF AUK GROUP  
**太聯事業股份有限公司**  
**AUK CONTRACTORS CO., LTD.**

CATEGORY		APPROVED BY		UNLESS OTHERWISE SPECIFIED TOLERANCES ARE X. ±0.20 .X ±0.10 .XX ±0.05 ANG. ±2°					
PART No. FCS3040EKT-H		MEI							
DRAWING No. FCS3040EKT-H		CHECKED BY HZF							
		DRAWING BY QZZ							
SCALE	NONE	REV.	A0	UNIT mm		NO. REV.	NEW RELEASE	HZF	02/04/2007
						REVISIONS	CHK	DATE	