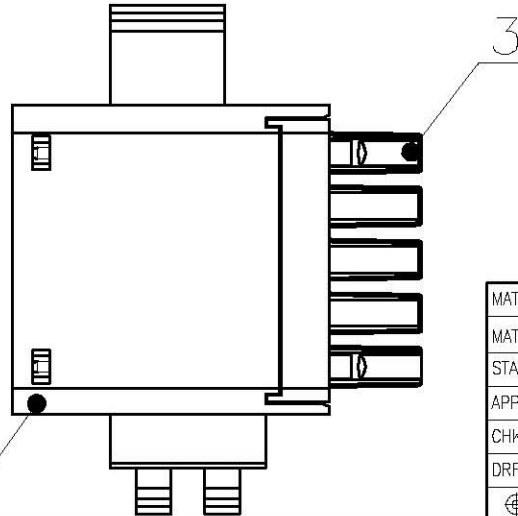
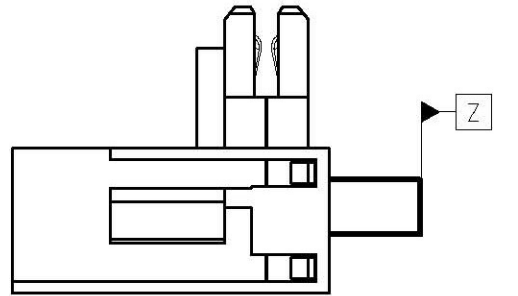
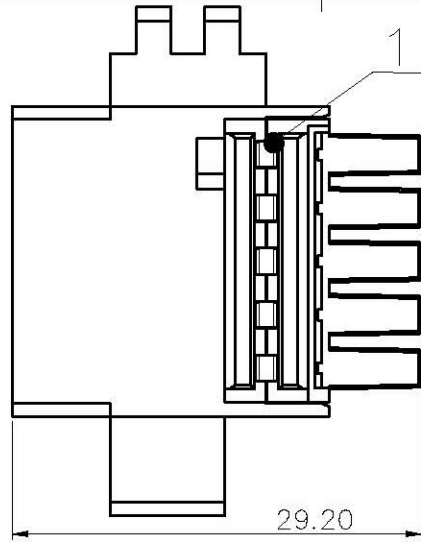


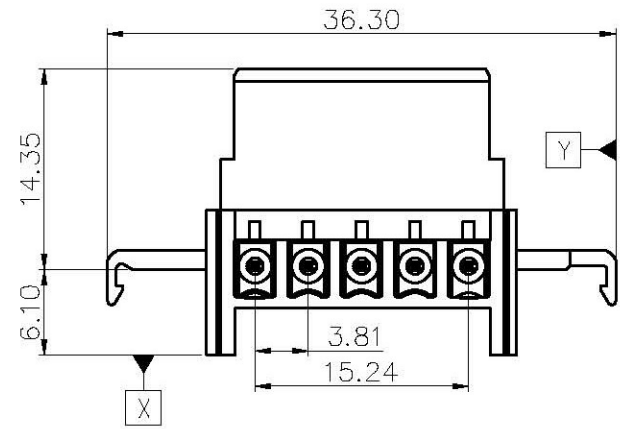
Pitch range in mm	Nominal dimension range in mm						- / □	
	TO 6	Over 6 TO 10	Over 10 TO 24	TO 30	Over 30 TO 60	Over 60 TO 100		Over 100 TO 150
±0.15	±0.20	±0.30	±0.30	±0.50	±0.70	±1.00	±1.30	±2*

ITEM	NAME OF PART	MATERIAL	NOTES
3	Cover	PA66	UL94V-0
2	Hosuing	PA66	UL94V-0
1	Clamp	Copper alloy	Au Plated



UL 标准/UL Standard:	B	C	D
额定电压/电流/Rated Voltage(V)/Current(A)	150/7	/	/
间距/Pitch(mm)/线数范围/Poles	3.81	N=05P	
使用温度范围/Operating temperature(°C)	-40~+105		
符合RoHS环保要求/Conform to RoHS	Yes		
配合使用的PCB板厚度/Use PCB Thickness	1.4~1.7mm		

文 管 中 心
研 发 专 用
2021.03.19
 (仅限内部使用, 对外无效)



REV	ECN	DESCRIPTION	DRFT	DATE

MATERIAL: Series FBUS22.5	SURFACE: /
MAT NO.: /	宁波高松电子有限公司 Ningbo Degson Electrical Co., Ltd.
STATUS: /	
APPD: PengM 2021.03.19	NAME: FBUS22.5-05P-1Y-100A(H)
CHKD: ZhuWM 2021.03.19	DRAWING NO.: FBUS22.5-C02
DRFT: HuRB 2018.02.28	REV TO
SIZE: A4	TYPE: CUSTOMER DRAWING
SCALE: 2:1	SHEET 1/1

Transfer or duplication of this document as well as the utilization or communication of its contents are prohibited unless explicit authorization is granted. Violations will be liable for compensation. All rights reserved for patent, utility model or designs registrations. 未经许可不得复制或传播, 否则将承担法律责任。 本文件内容及图样, 未经高松电子有限公司许可, 不得复制或传播。