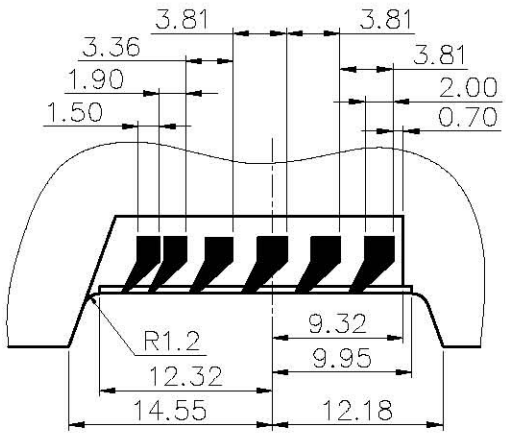
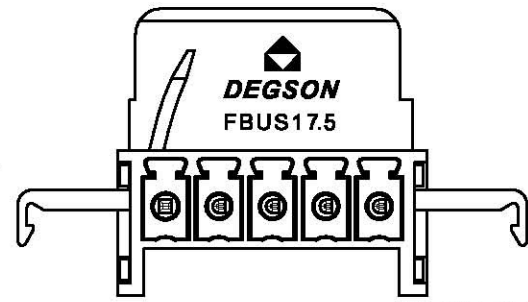


Transfer or duplication of this document as well as the utilization or communication of its contents are prohibited unless explicit authorization is granted. Violations will be liable for compensation. All rights reserved for patent, utility model or design registrations. 嚴禁轉字或複製此文件，未經本公司許可，嚴禁將此文件內容、圖樣、交貨單文件內容、數據等向外單位或個人透露。 本公司保留變更及修改、更改、交貨單文件內容、數據等對外無效。

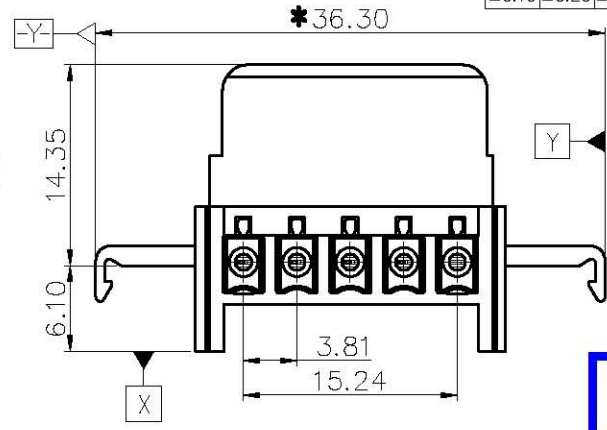
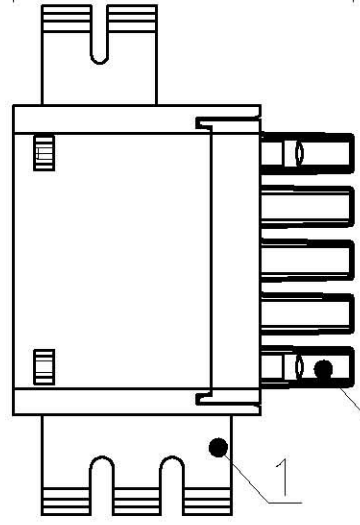
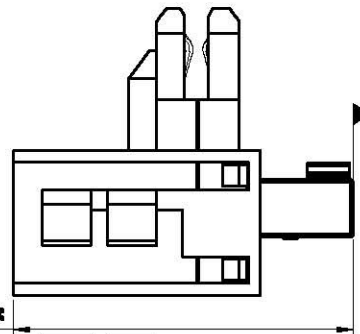
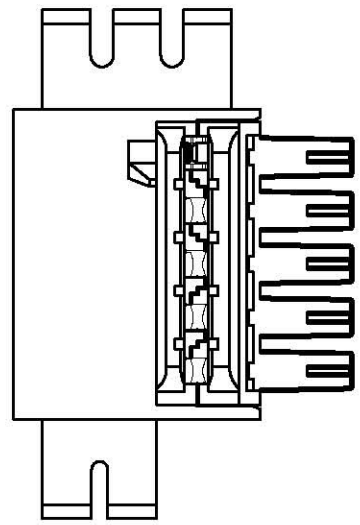


PCB LAYOUT



B-B

24.20±0.25*



UL 标准/UL Standard:	B	C	D
额定电压/电流/Rated Voltage(V)/Current(A)	150/5	/	/
IEC 标准/IEC Standard:			
过压类别/Overvoltage Category/污染等级/Pollution Degree	Ⅲ/3	Ⅲ/2	Ⅱ/2
额定电压/电流/Rated Voltage(V)/Current(A)	125/5	/	/
额定脉冲电压(kV)/Rate Impulse Voltage(kV)	2.5	/	/
间距/Pitch(mm)/线数范围/Poles	3.81/N=05P		
使用温度范围/Operating temperature(°C)	-40~+105		
符合RoHS环保要求/Conform to RoHS	Yes		
配合使用的PCB板厚度/Use PCB Thickness	1.2~1.6mm		

Pitch range in mm			Nominal dimension range in mm						
TO	Over	Over	TO	Over	Over	Over	150	0.1/10	
6	10	24	30	60	100	150			
±0.15	±0.20	±0.30	±0.30	±0.50	±0.70	±1.00	±1.30	±2*	

文 管 中 心 用
 研 发 专 用
2021.04.23
 (仅限内部使用, 对外无效)

ITEM	NAME OF PART	MATERIAL	NOTES
5	Clamp 3	Copper alloy	Au Plated
4	Clamp 2	Copper alloy	Au Plated
3	Clamp 1	Copper alloy	Au Plated
2	Cover	PA66	UL94V-0
1	Housing	PA66	UL94V-0

REV	ECN	DESCRIPTION	DRFT	DATE
MATERIAL: Series FBUS17.5		SURFACE: /		
MAT NO.: /		宁波高松电子有限公司 DEGSON® Ningbo Degson Electrical Co., Ltd.		
STATUS: /				
APPD: PengM 2021.04.23		NAME: FBUS17.5-05P-1Y-11A(H)		
CHKD: ZhuWM 2021.04.23		DRAWING NO.: FBUS17.5-C03		
DRFT: CaoLB 2018.08.29		REV TO		
SIZE: A4		TYPE: CUSTOMER DRAWING		SCALE: 2:1 SHEET 1/1