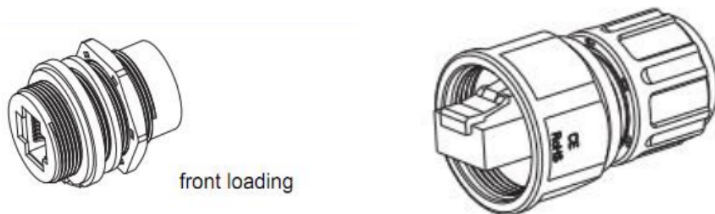
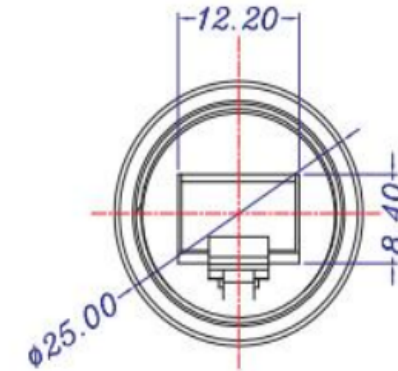
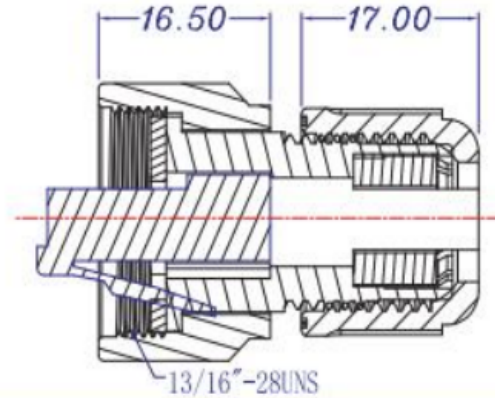
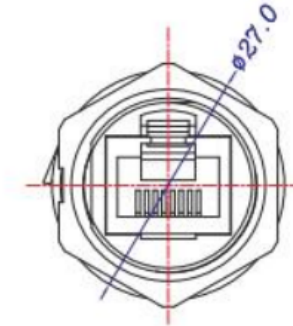
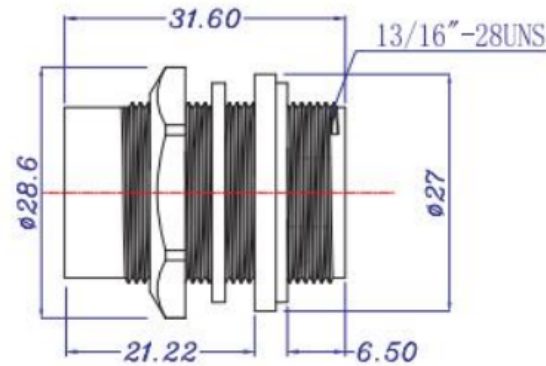


FUCON

Waterproof connector with RJ-45 "socket - socket" 8P8C network interface board (coupling for connecting Ethernet cables/ for copper twisted pair cables (cables of categories 5 and 6) with terminated plugs RJ-45 8P8C)

Housing material: PC
 Material of Pins: copper alloy
 Cable out diameter range: 5 - 7 mm
 Rated voltage: 125 volts (AC DC)
 Operating temperature: - 40°C ~ + 85 °C

Technical parameters:
 Transfer rate: Class 5E/Class 6A Class D/Class D and ISO/IEC 11801 compliant with TIA or EIA 568B
 Waterproof rating: IP67
 Contact resistance: $\leq 20m\Omega$
 Insulation resistance: $\geq 500m\Omega$ at DC500V
 Frequency resistance: $\geq AC 1000V/min$
 Salt spray corrosion: 48 hours
 POE: 60W/2A



Manufacture: Xiamen Fucon IMP.&EXP. CO.,LTD

Part No.: EW-RJ45-08302
 EW-RJ45 - series of waterproof connector (coupling)
 08 - number of Pins (8 Pins)
 302 - no value