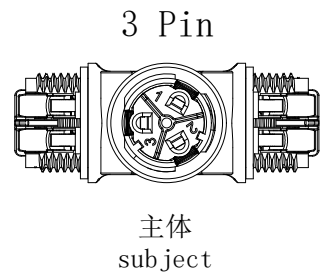
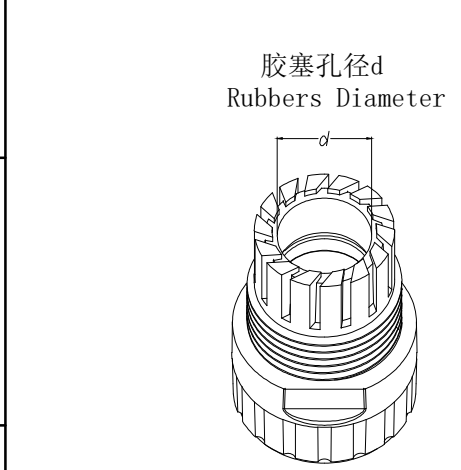


版本 (REV)	说明 (DESCRIPTION)	设计 (DESIGN)	DATE
(X1)	NEW DRAWING	OWG	2021/05/12

原材料 Raw material	PA66、BRASS、SILICONE
符合认证标准 CERTIFICATION	UL/TUV/RoHS
阻燃等级 Flame-resistant rating	UL94-V2
防护等级 Level of protection	IP68
额定电压/额定电流 Voltage rating/Current rating	450V / 16A
耐电压 Withstanding voltage	1000V
线材规格 Cable gague	0.5mm ² ~ 2.5mm ²
工作温度 Operating temperature	-40°C ~ +105°C

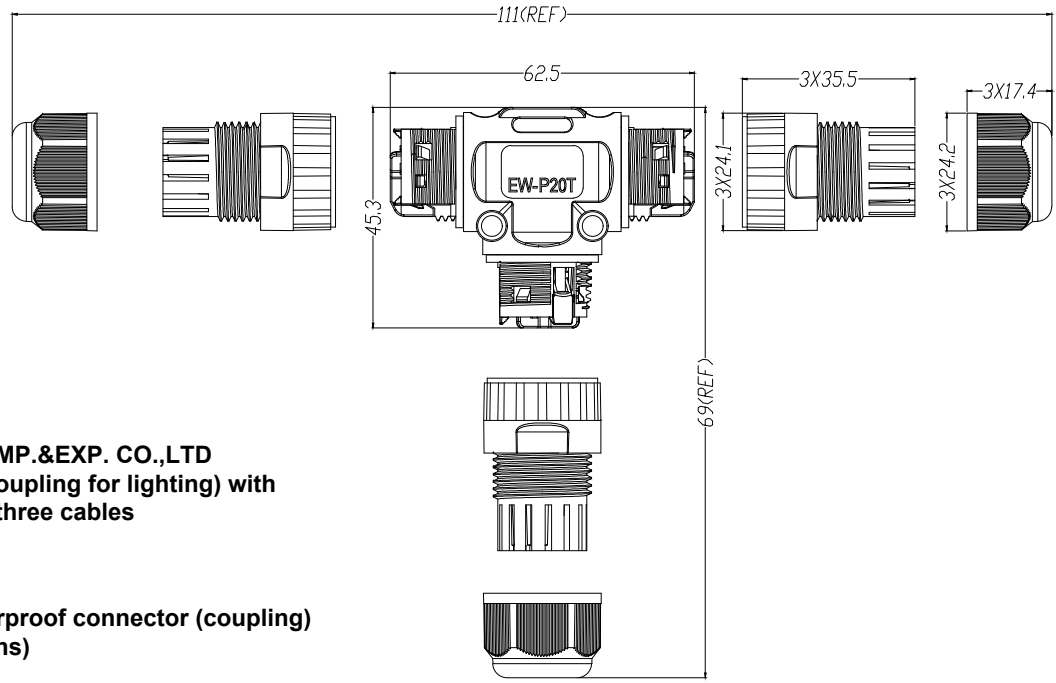


胶塞孔径d Rubbers Diameter	适用线外径 Outer Cable Diameter
∅11.5	∅9-12
∅8.5	∅5-9



Factory: Xiamen Fucon IMP.&EXP. CO.,LTD
Waterproof connector (coupling for lighting) with
spring brass clamps for three cables

Part No.: EW-P20T-3P
EW-P20T - series of waterproof connector (coupling)
3P - number of Pins (3 Pins)



产品单重 Weight	外箱尺寸 MEAS	单箱数量 Each carton number	单箱毛重 G. W.
g	42×30×34 cm	250pcs	17.5kg

未注公差 (TOLERANCE UNSPECIFIED)					单位 (UNIT)	mm	绘图 (DRAW)	区文贵 / 2021/05/12	料号 (PART NO)	EW-P20T-3P
X. ±0.35	X. XX ±0.10	X. ° ±3°	X. X ° ±2°		比例 (SCALE)	1:1	审核 (CHKD)		图号 (DWG NO)	
X. X ±0.20	X. XXX ±0.05	X. XX ° ±1°			页次 (SHEET)	1/1	核准 (APPD)		品名 (TITLE)	EW-P20T-3P WATERPROOF CONNECTOR