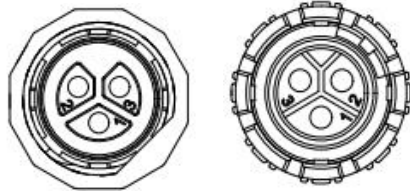

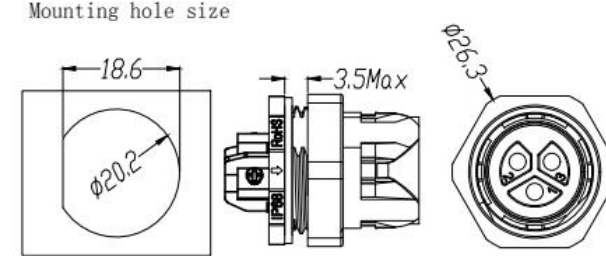
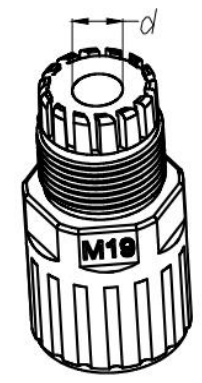
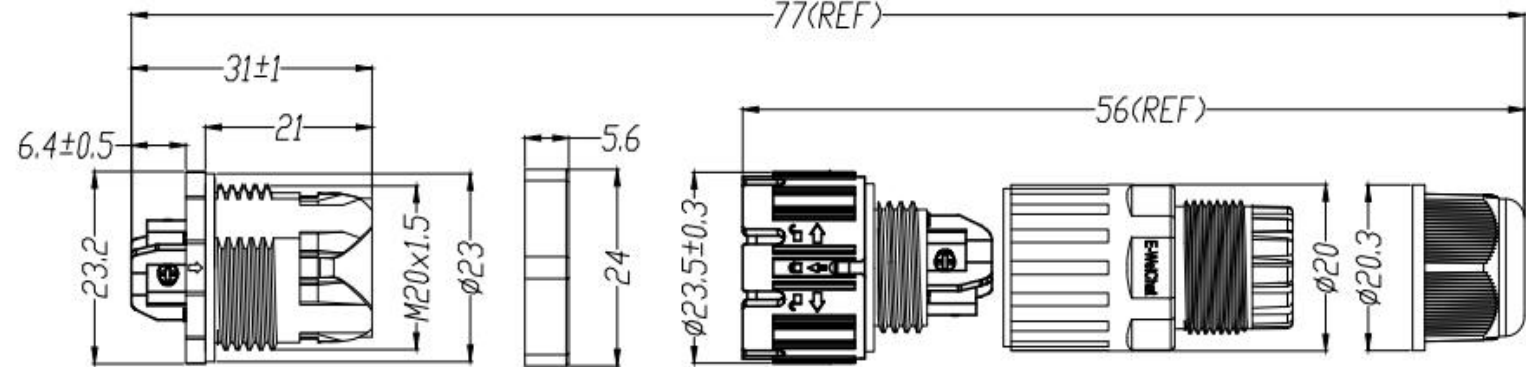


1	2	3	4	5	6	7	8																														
A	Raw Material	PA66、SILICONE、 COPPER ALLOY	3 PIN  Pole Female connector Pin Male connector		REV	DESCRIPTION	DESIGN	DATE																													
	Certification	UL/CQC/RoHS/CE			A0	NEW DRAWING	Andy. Pi	2022/4/7																													
	Flame-resistant rating	UL94 V-0																																			
	Level of protection	IP68																																			
	Voltage rating/Current rating	450 V / 20 A																																			
	Withstanding voltage	2500 V																																			
	Cable gauge	0.5~2.5mm <sup>2</sup>																																			
Operating temperature	-40~105 °C																																				
B	Mounting hole size				The color of the product is subject to the actual product, the picture is for reference only																																
	Part Number	Rubbers Diameter(d)	Outer Cable Diameter																																		
		φ 10.2 mm	φ 7~10 mm																																		
C		φ 8.1 mm	φ 5~8 mm																																		
		φ 6.5 mm	φ 3.5~7 mm																																		
	<b>Factory: Xiamen Fucon IMP.&amp;EXP. CO.,LTD</b> <b>Waterproof coupling (female connector and male connector for lighting) with screw copper alloy clamps for two cables</b>		<b>Part No.: EW-M19MP-03X01</b> <b>EW-M19MP - series of waterproof coupling (female connector and male connector)</b> <b>03 - number of Pins (3 Pins)</b> <b>X01 - no value</b>																																		
D	Rubbers Diameter																																				
																																					
E	21.25 g		42x30x26 cm	1000 PCS	21.95 Kg	<table border="1"> <thead> <tr> <th colspan="3">TOLERANCE UNSPECIFIED</th> <th>UNIT</th> <th>mm</th> <th>DRAW</th> <th>P/N</th> <th>EW-M19MP-03X01</th> </tr> </thead> <tbody> <tr> <td>X. ±0.35</td> <td>X.XX ±0.10</td> <td>X.° ±3°</td> <td>SCALE</td> <td>1:1</td> <td>CHKD</td> <td>D/N</td> <td rowspan="3">FUCON</td> </tr> <tr> <td>X.X ±0.20</td> <td>X.XXX ±0.05</td> <td>X.X° ±2°</td> <td>SHEET</td> <td>1/1</td> <td>APPD</td> <td>TITLE</td> </tr> <tr> <td></td> <td></td> <td>X.XX° ±1°</td> <td></td> <td></td> <td></td> <td>EW-M19MP-3P WATERPROOF CONNECTOR</td> </tr> </tbody> </table>		TOLERANCE UNSPECIFIED			UNIT	mm	DRAW	P/N	EW-M19MP-03X01	X. ±0.35	X.XX ±0.10	X.° ±3°	SCALE	1:1	CHKD	D/N	FUCON	X.X ±0.20	X.XXX ±0.05	X.X° ±2°	SHEET	1/1	APPD	TITLE			X.XX° ±1°				EW-M19MP-3P WATERPROOF CONNECTOR
	TOLERANCE UNSPECIFIED			UNIT	mm	DRAW	P/N	EW-M19MP-03X01																													
	X. ±0.35	X.XX ±0.10	X.° ±3°	SCALE	1:1	CHKD	D/N	FUCON																													
X.X ±0.20	X.XXX ±0.05	X.X° ±2°	SHEET	1/1	APPD	TITLE																															
		X.XX° ±1°				EW-M19MP-3P WATERPROOF CONNECTOR																															
Weight	MEAS	Each carton number	G. W.																																		
1	2	3	4	5	6	7	8																														