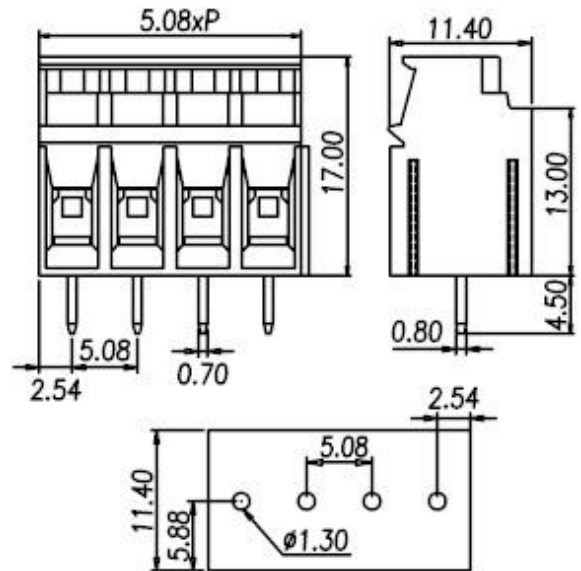




European P.C.B. type terminal blocks / EK series



ESK508V



Pitch: 5.08mm

Approval	 	
Technical Data	UL	IEC
Rated voltage	300V	250V
Rated current	23A	24A
Conductor cross-section, solid (AWG/ mm ²)	26~12 / 0.5~2.5	
Conductor cross-section, flexible (AWG/ mm ²)	26~12 / 0.5~2.5	
Rated surge voltage (UL/IEC/Max.)	1.6 / 2 / 4 KV	
Torque (N-m)	0.80	
Screw	M3	
Wire strip length	10~11mm	
Pole	Cat. No.	
02	ESK508V-02P	
:	:	
:	:	
12	ESK508V-12P	

TEL: +886-2-2908-0614

FAX: +886-2-2908-8549

E-mail: info@dinkle.com.tw