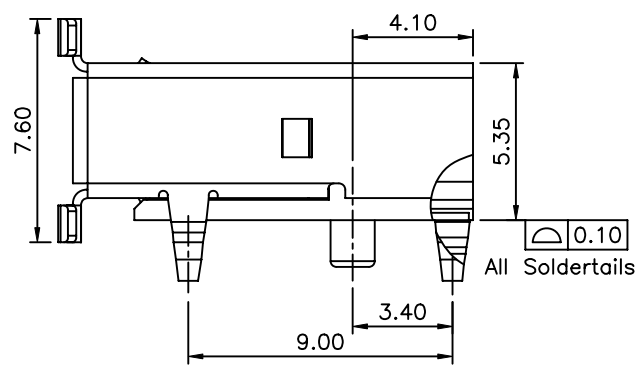
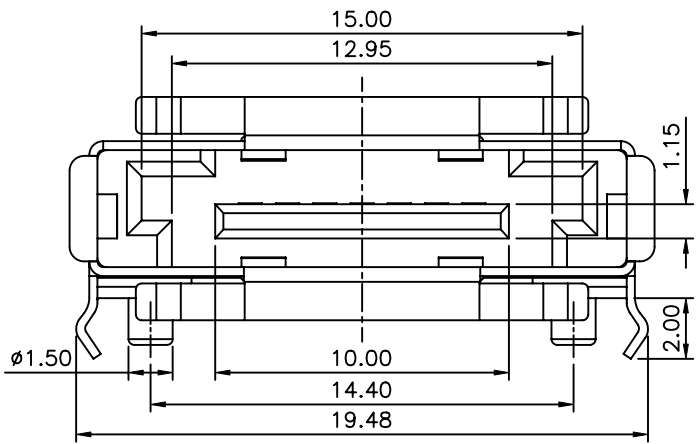


SPECIFICATION
 Current Rating:1.5 Ampere Per Contact
 Contact Resistance:30 Milliohms Max.
 Insulation Resistance:1000 Megaohms Min.
 Dielectric Withstanding Voltage:500V DC
 Operation Temperature:-40°C~+85°C
 Base:LCP(UL94V-0),Black
 Terminal:Copper Alloy
 Shell:Copper Alloy,Nickel Plated
 RoHS Compliant



- ESA 07 S W 2 2 4 S SX - H
 (1) (2) (3) (4) (5) (6) (7) (8) (9) (10)
- (1) ESA:E Serial ATA
 - (2) 07:No. Of Position
 - (3) S:Female
 - (4) W:SMT Straight
 - (5) 2:Dual Spring Latch
 - (6) 2:With 2 Post
 - (7) 4:4 Shell Tab:DIP
 - (8) S:Standard Type
 - (9) SX>Contact Finish
 - S0:Gold Flash On Contact Area,Misty Tin Plated On Solder Tail,Over Nickel
 - S6:Gold Plated 15u" On Contact Area,Misty Tin Plated On Solder Tail,Over Nickel
 - S8:Gold Plated 30u" On Contact Area,Misty Tin Plated On Solder Tail,Over Nickel
 - (10) H:RoHS Compliant

AUK A MEMBER OF AUK GROUP
太聯事業股份有限公司
AUK CONTRACTORS CO., LTD.

CATEGORY		APPROVED BY		UNLESS OTHERWISE SPECIFIED TOLERANCES ARE .X ±0.30 .XX ±0.25 ANG. ±3°				
PART No. ESA07SW224SSX-H		MEI						
DRAWING No. ESA07SW224SSX-H		HZF						
		WZL						
SCALE	NONE	REV.	A0	UNIT mm			A0	NEW RELEASE
							HZF	08/18/2010
NO.	REV.	REVISIONS		CHK	DATE			