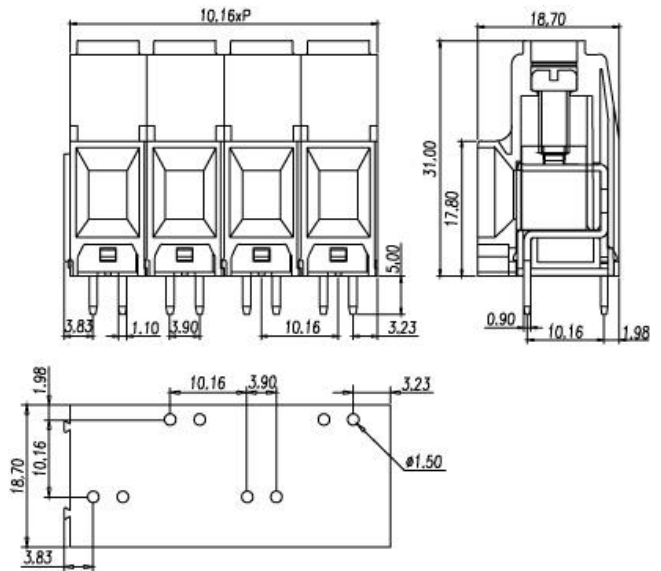


European P.C.B. type terminal blocks / EK series



EPK116VN



Pitch: 10.16mm

Approval		
Technical Data	UL	IEC
Rated voltage	600V	1000V
Rated current	57A / 65A	76A
Conductor cross-section, solid (AWG/ mm ²)	20~6 / 0.5~16	
Conductor cross-section, flexible (AWG/ mm ²)	20~6 / 0.5~16	
Rated surge voltage (UL/IEC/Max.)	2.2 / / KV	
Torque (N-m)	1.2	
Screw	M4	
Wire strip length	12mm	
Pole	Cat. No.	
02	EPK116VN-02P	
:	:	
:	:	
16	EPK116VN-16P	

TEL: +886-2-2908-0614

FAX: +886-2-2908-8549

E-mail: info@dinkle.com.tw