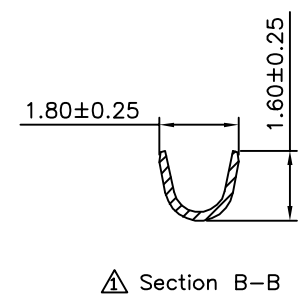
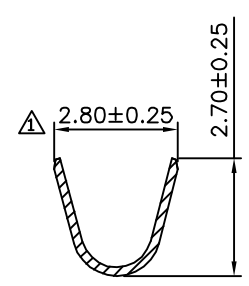
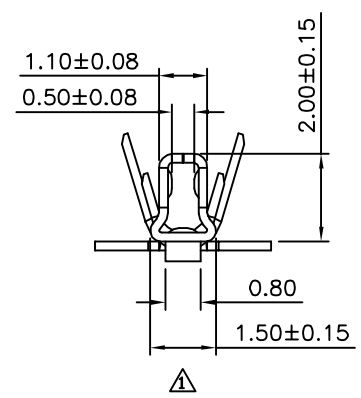
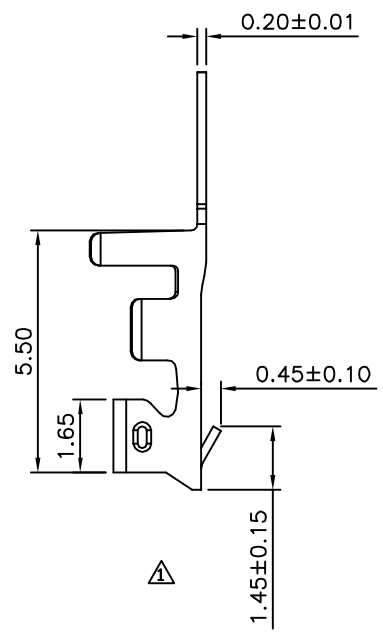
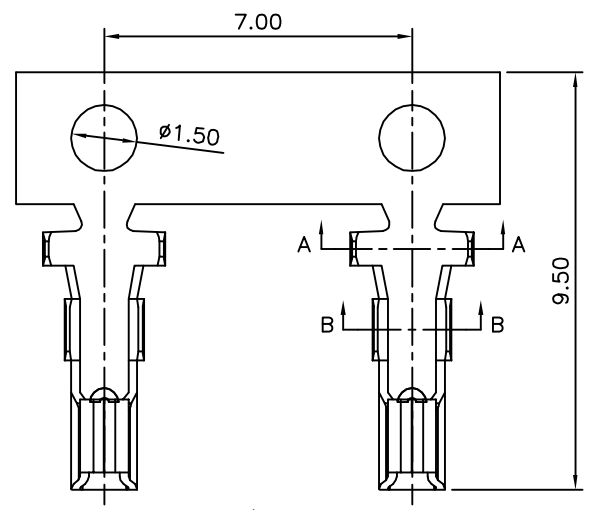


△ SPECIFICATION

Material: Phosphor Bronze
 Stamping Before Plated: Tin Plated Over Nickel
 Wire Range: AWG #22~28
 Insulation O.D.: 1.80mm Max.
 Q'ty: 10000 PCS/Reel
 RoHS Compliant



Section A-A

Section B-B

AUK A MEMBER OF AUK GROUP
太聯事業股份有限公司
AUK CONTRACTORS CO., LTD.

CATEGORY		APPROVED BY EMILY		UNLESS OTHERWISE SPECIFIED TOLERANCES ARE .X ±0.25 .X* ±2* .XX ±0.20 .XX* ±1* .XXX ±0.10
PART No. EHT-R10K-H		CHECKED BY HZF		
DRAWING No. EHT-R10K-H		DRAWING BY SONG		
SCALE	NONE	REV.	A2	
UNIT mm				

NO.	REV.	REVISIONS	CHK	DATE
△ A2		Modify P/N: EHT-H EHT-R10K-H	HZF	06/09/2014
△ A1		Modify Data	HZF	12/11/2012
△ A0		NEW RELEASE	BECKY	05/27/2005