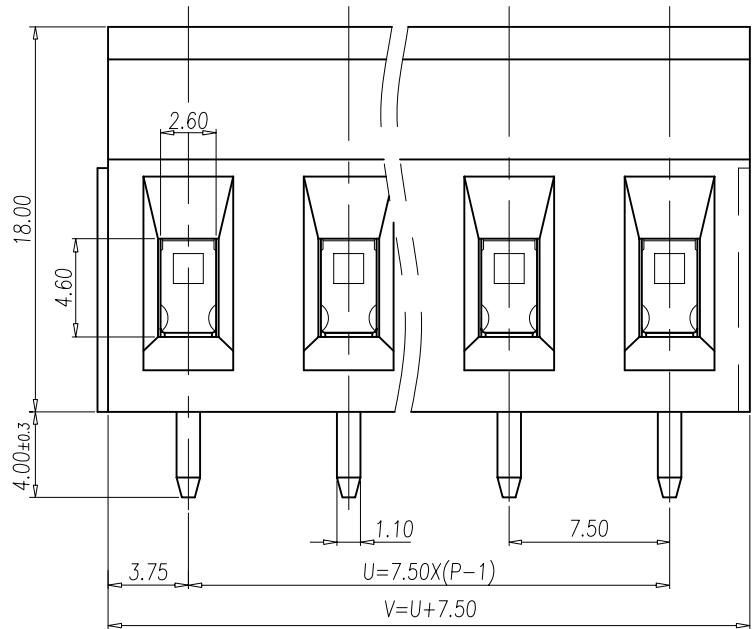
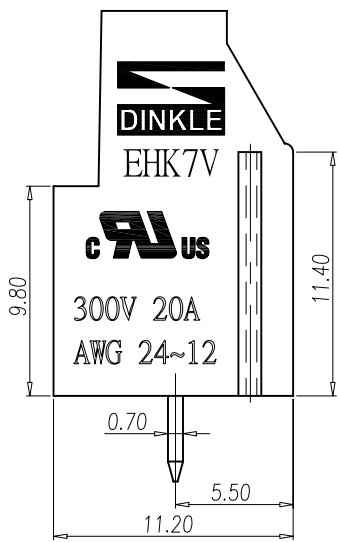


PCB LAYOUT



NOTES 1:

- |  |   |
|--|---|
| UL Standard :  | IEC Standard:                                       |
| 1.Rating: 300V 20A FW2<br>300V 25A FW1                   | 1.Rating: 450V 24A                                  |
| 2.Insulation Withstands Voltage:<br>AC 2000V at 1 minute | 2.Rate Impulse Voltage: 4000V                       |
| 3.Using Temperature Range:<br>-40°C~+115°C               | 3.Insulation Resistance:<br>500MΩ or more at DC500V |
| 4.Screw Torque Value: 0.45N·m                            | 4.Material Group: I                                 |
| 5.Suitable Electric Wire: AWG 24~12                      | 5.Pollution Degree: 2                               |
|  | 6.Overtoltage Category: III                         |
|  | 7.Using Temperature Range:<br>-40°C~+120°C          |
|  | 8.Screw Torque Value: 0.45N·m                       |
|  | 9.Suitable Electric Wire: 0.5~2.5mm <sup>2</sup>    |

NOTES 2:

- 1.RoHS Compliance

P	2	3	4	5	6	7	8	9
U	7.50	15.00	22.50	30.00	37.50	45.00	52.50	60.00
V	15.00	22.50	30.00	37.50	45.00	52.50	60.00	67.50
P	10	11	12	13	14	15	16	
U	67.50	75.00	82.50	90.00	97.50	105.00	112.50	
V	75.00	82.50	90.00	97.50	105.00	112.50	120.00	

Normal Geometric Tolerancing				
—	//	≡	⊥	
0 to 100	0.2	0.3	0 to 10	0.2
over 100 to 150	0.3		over 10	0.3
over 150	0.5			
Total Pitch Tolerances		Normal dimension Tolerances		
0<U<=30	±0.20	0~30	±0.25	
30<U<=53	±0.25	over 30~53	±0.30	
53<U<=70	±0.30	over 53~70	±0.35	
70<U<=90	±0.35	over 70~90	±0.44	
90<U<=115	±0.44	over 90~115	±0.55	
115<U<=150	±0.55	over 115~150	±0.70	
150<U<=200	±0.70	over 150~200	±0.85	
200<U<=250	±0.85	over 200~250	±1.00	
250<U<=320	±1.00	over 250~320	±1.20	

4	SOLDER PIN	COPPER ALLOY	Tin Plated
3	WIRE CAGE	STEEL	Zn Plated
2	SCREW	STEEL	M2.5/Zn Plated
1	HOUSING	PA	UL94-V0 GREEN
ITEM	NAME OF PART	MATERIAL	NOTES

DWG.	LJD	DATE	15.06.29	UNITS	MM	SHEET/OF	1 / 1
CHK.		DATE		SCALE	4:1 ( : )		
APP.		DATE		NAME		EHK7V-XXP	
				DINKLE ENTERPRISE CO., LTD		DWG NO. SP-03-EHK7V000	

REV.	CONTENT	CHK.	DATE
------	---------	------	------