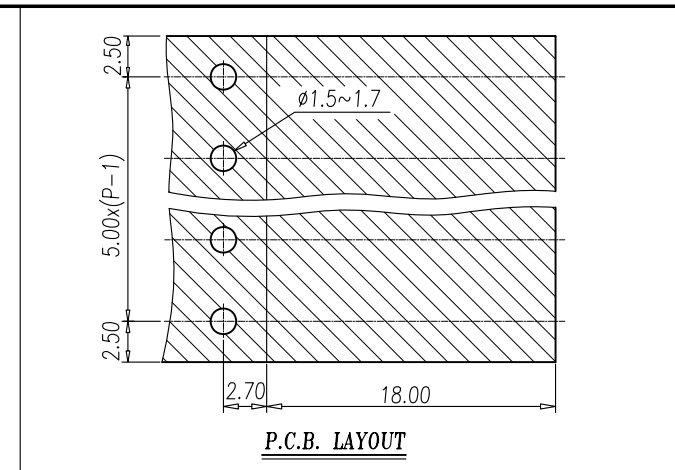
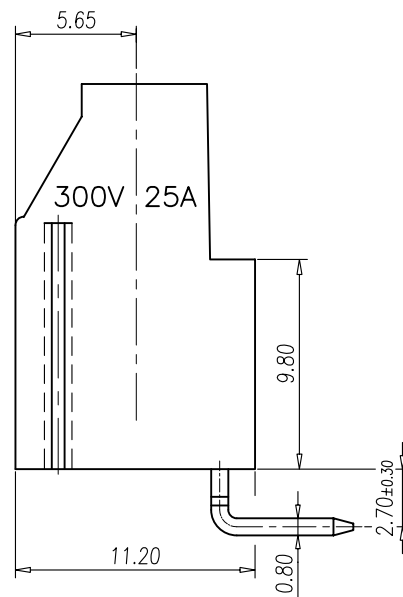


Normal Geometric Tolerancing			
—	//	$\equiv$	$\perp$
0 to 100	0.2	0 to 10	0.2
over 100 to 150	0.3	over 10	0.3
over 150	0.5		
Total Pitch Tolerances		Normal dimension Tolerances	
0<U<=30	±0.20	0~30	±0.25
30<U<=53	±0.25	over 30~53	±0.30
53<U<=70	±0.30	over 53~70	±0.35
70<U<=90	±0.35	over 70~90	±0.44
90<U<=115	±0.44	over 90~115	±0.55
115<U<=150	±0.55	over 115~150	±0.70
150<U<=200	±0.70	over 150~200	±0.85
200<U<=250	±0.85	over 200~250	±1.00
250<U<=320	±1.00	over 250~320	±1.20



NOTES:

1. Rating: 300V 25A (IEC 250V 24A)  
PITCH: 5.00mm
2. Insulation Withstands Voltage:  
AC 2000V at 1 Minute
3. Insulation Resistance:  
500M $\Omega$  or more at DC500V
4. Using Temperature Range:  
-40°C~+105°C
5. Screw Torque Value: 0.46N·m
6. Suitable Electric Wire:  
24~12 AWG (IEC 0.5~2.5mm<sup>2</sup>)
7. RoHS compliance

ITEM	NAME OF PART	MATERIAL	NOTES
4	SOLDER PIN	COPPER ALLOY	Tin Plated
3	WIRE CAGE	STEEL	M2.5/Zn Plated
2	SCREW	STEEL	M2.5/Zn Plated
1	HOUSING	PA66	UL94-V0 GREEN

DWG.	HQY	DATE	11.10.12	UNITS	MM	SHEET/OF	1 / 1
CHK.		DATE		SCALE	4:1 ( : )		
APP.		DATE		NAME	EHK500R-XXP		
REV.	CONTENT	CHK.	DATE	<b>DINKLE</b> ENTERPRISE CO.,LTD		DWG NO.	SP-03-EHK500R0