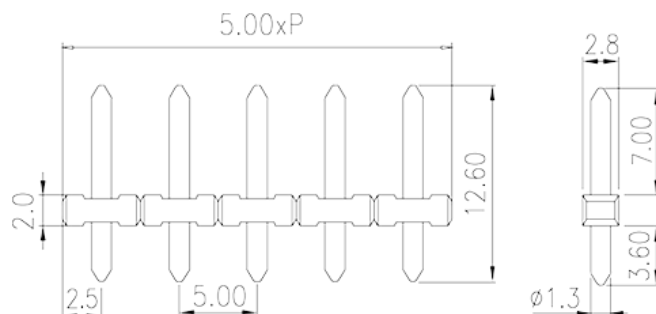
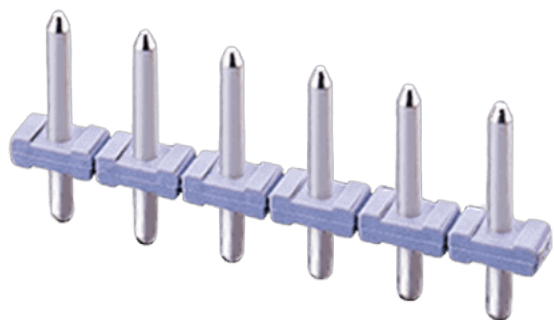


# EDH130F-XX/12.6

PCB Terminal Blocks > PCB Connector-Socket

Date:2019-12-19Version:V1



The web catalog is for reference only. Dinkle remains the right of product modification and engineering change of the design. The final product is made according to engineering drawing.

## Product Description

Pitch: 5.00 mm , 300V, 7A

## General information

Short description	PCB connector Socket , Wave soldering
Category	PCB connector Socket
Pitch (mm)	5
Color	Grey(default)
Type of locking	Without
Soldering method	Wave soldering
Length (mm)	5.00xP
Width (mm)	2.8
Height (mm)	12.6
Pin demensions (Thickness x Width)(mm)	Ø1.3
PCB hole diameter (mm)	2
Number of positions	02~24
Level	Single level

## Material information

Insulation material	PBT
---------------------	-----

Insulation material group	IIIa
Flame retardant rating , compliant with UL94	V0
Insulation resistance	□1000MΩ at DC 500V
Conductor material	COPPER ALLOY
Plating of conductor surface	Tin PLATED

## Connection data-IEC

Rated voltage (V)	320
Rated current (A)	10
Rated voltage (II/2)(V)	320
Rated voltage (III/2) (V)	320
Rated voltage (III/3)(V)	200
Rated impulse voltage (II/2)(KV)	4
Rated impulse voltage (III/2)(KV)	4
Rated impulse voltage (III/3)(KV)	4

## Connection data-UL

Rated voltage (UL/CUL Group B)(V)	300
Rated current (UL/CUL Group B)(A)	7
Rated voltage (UL/CUL Group D)(V)	300
Rated current (UL/CUL Group D)(A)	7

## Environment & Safety

Finger protection (YES or NO)	NO
Operating temperature. max (°C)	130
Operating temperature. min (°C)	-40

## UL Recognized

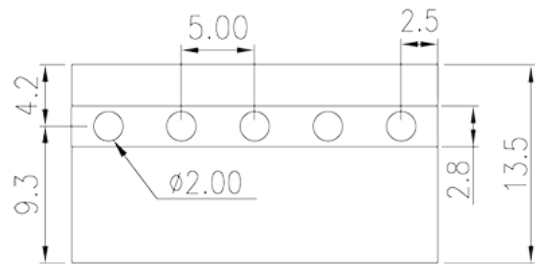
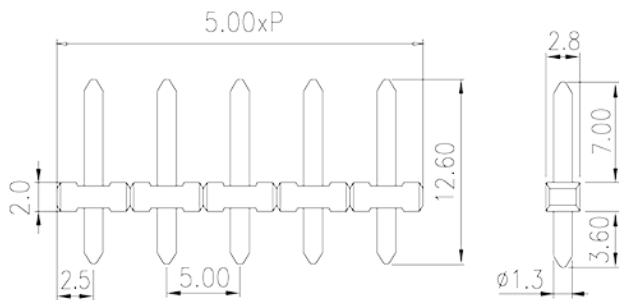
Rated voltage (Group B)(V)	300
Rated current (Group B)(A)	7
Rated voltage (Group D)(V)	300
Rated current (Group D)(A)	7

## CUL Recognized

Rated voltage (Group B)(V)	300
----------------------------	-----

Rated current (Group B)(A)	7
Rated voltage (Group D)(V)	300
Rated current (Group D)(A)	7

## Drawings



## Approvals

