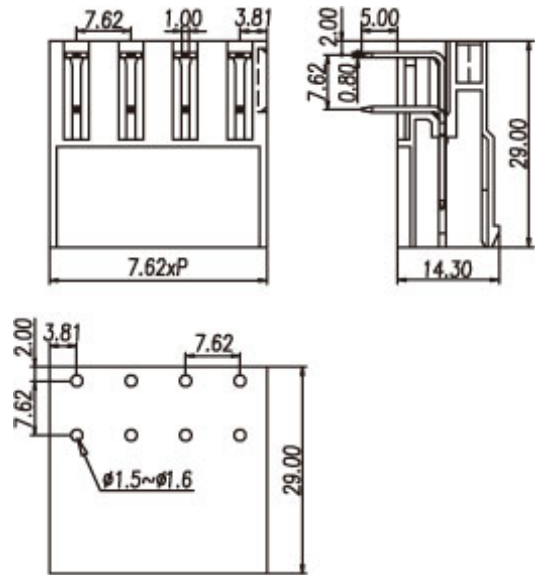


Headers(Sockets) for pluggable terminal blocks / ECH & EHD series



**ECH762R**



**Pitch: 7.62mm**

Approval	<b>UL</b>	
Technical Data	UL	IEC
Rated voltage	300V	450V
Rated current	30A	41A
Conductor cross-section, solid (AWG/ mm <sup>2</sup> )		
Conductor cross-section, flexible (AWG/ mm <sup>2</sup> )		
Rated impulse voltage	6 KV	
Torque (N-m)		
Screw		
Wire strip length		
Pole	Cat. No.	
02	ECH762R-02P	
:	:	
:	:	
12	ECH762R-12P	

**TEL:** +886-2-2908-0614

**FAX:** +886-2-2908-8549

**E-mail:** info@dinkle.com.tw