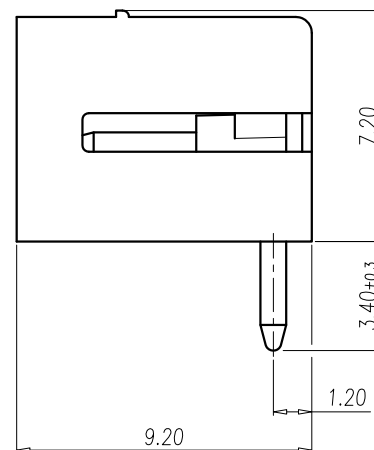
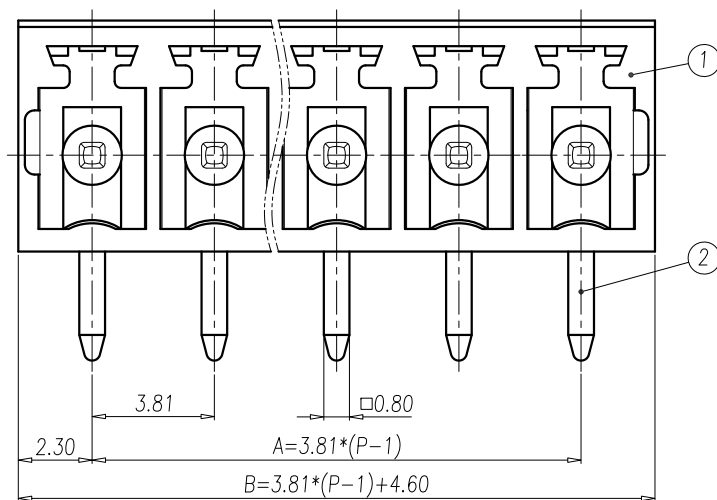


PCB LAYOUT



NOTES 1:

UL Standard :

1. Rating: 300V 8A
2. Insulation Withstands Voltage: AC 2000V at 1 minute
3. Using Temperature Range: -40°C~+115°C

IEC Standard:

1. Rating: 320V 14A
2. Rate Impulse Voltage: 2500V
3. Insulation Resistance: 500MΩ or more at DC500V
4. Material Group : I
5. Pollution Degree : 2
6. Overvoltage Category: II
7. Using Temperature Range: -40°C~+115°C

NOTES 2:

1. RoHS compliance

P	2	3	4	5	6	7	8	9	10	11	12	
A	3.81	7.62	11.43	15.24	19.05	22.86	26.67	30.48	34.29	38.10	41.91	
B	8.41	12.22	16.03	19.84	23.65	27.46	31.27	35.08	38.89	42.70	46.51	
P	13	14	15	16	17	18	19	20	21	22	23	24
A	45.72	49.53	53.34	57.15	60.96	64.77	68.58	72.39	76.20	80.01	83.82	87.63
B	50.32	54.13	57.94	61.75	65.56	69.37	73.18	76.99	80.80	84.61	88.42	92.23

Total Pitch Tolerances		Normal Dimension Tolerances	
0~30	±0.20	0~30	±0.25
over 30~53	±0.25	over 30~53	±0.30
over 53~70	±0.30	over 53~70	±0.35
over 70~90	±0.35	over 70~90	±0.44
over 90~115	±0.44	over 90~115	±0.55
over 115~150	±0.55	over 115~150	±0.70
over 150~200	±0.70	over 150~200	±0.85
over 200~250	±0.85	over 200~250	±1.00
over 250~320	±1.00	over 250~320	±1.20

2	SOLDER PIN	COPPER ALLOY	Tin Plated
1	HOUSING	PA66	UL94-V0 BLUE
ITEM	NAME OF PART	MATERIAL	NOTES

DWG.	ZCT	DATE	2021.11.18	UNITS	MM	SHEET/OF	1 / 1
CHK.	Ying.Xu	DATE	2021.11.18	SCALE	6:1 (:)		
APP.	Webb.Liu	DATE	2021.11.18	NAME	ECH381R-XXP-BL		
				DWG NO.	SP-03-ECH381BL		
DINKLE ENTERPRISE CO., LTD.							

REV.	CONTENT	NAME	DATE