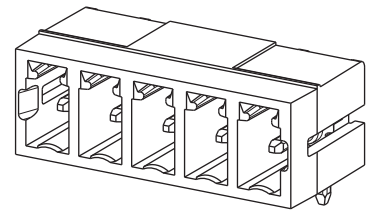
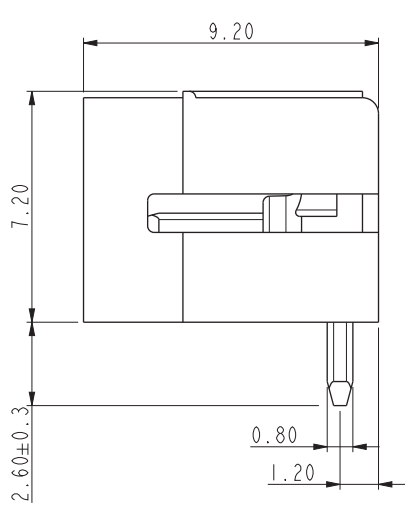
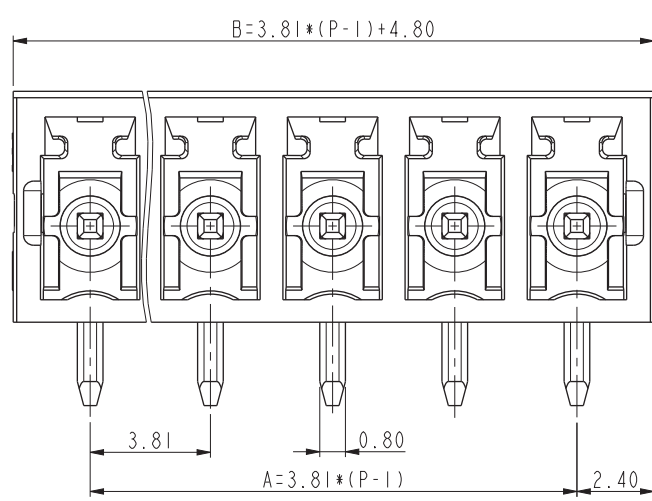
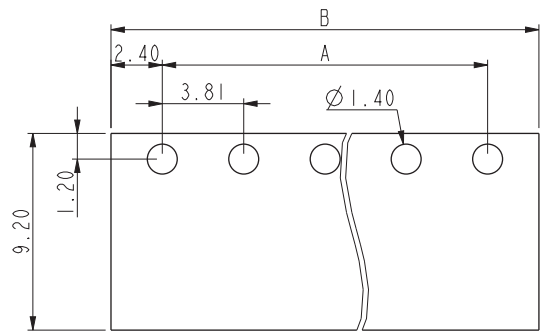
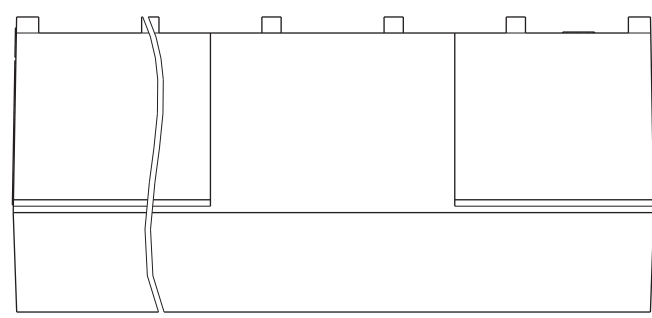


DINKLE has proprietary right to these drawings and specifications hereon, it shall not be reproduced or used as the basis for the manufacture of devices without permission. User should verify drawings are the most recent version.  
Copyright © DINKLE Enterprise Co., Ltd.



P	2	3	4	5	6	7	8	9	10	11	12	13
A	3.81	7.62	11.43	15.24	19.05	22.86	26.67	30.48	34.29	38.10	41.91	45.72
B	8.61	12.42	16.23	20.04	23.85	27.66	31.47	35.28	39.09	42.90	46.71	50.52
P	14	15	16	17	18	19	20	21	22	23	24	
A	49.53	53.34	57.15	60.96	64.77	68.58	72.39	76.20	80.01	83.82	87.63	
B	54.33	58.14	61.95	65.76	69.57	73.38	77.19	81.00	84.81	88.62	92.43	

Total Pitch Tolerances		Normal dimension Tolerances	
0~30	±0.20	0~30	±0.25
over 30~53	±0.25	over 30~53	±0.30
over 53~70	±0.30	over 53~70	±0.35
over 70~90	±0.35	over 70~90	±0.44
over 90~115	±0.44	over 90~115	±0.55
over 115~150	±0.55	over 115~150	±0.70
over 150~200	±0.70	over 150~200	±0.85
over 200~250	±0.85	over 200~250	±1.00
over 250~320	±1.00	over 250~320	±1.20

VI	3		
REV.		CONTENT	
DRW.		DATE	

2	SOLDER PIN	COPPER ALLOY	Tin Plated
1	HOUSING	High-temperature plastics	UL94-V0 BLACK
ITEM	NAME OF PART	MATERIAL	NOTES
DRW.	Ford.Sheng	DATE	2017-09-24
CHK.	Mike.Li	DATE	2017-09-25
APP.	Xuehou.Yao	DATE	2017-09-25
NAME		<b>ECH381R-XXPL</b>	
GENERAL TOLERANCE		SPECIFICATION FILE	
DRAWING TYPE		SHEET/OF	
SCALE		THIRD ANGLE PROJECTION	
DINKLE ENTERPRISE CO., LTD.		1/1	



**DINKLE**  
ENTERPRISE CO., LTD.

UNITS	mm	THIRD ANGLE PROJECTION	
SCALE	6:1	SHEET/OF	1/1

# ECH381R

 规格书编号/Specification File No.: **SF-ECH381R-001**

版本/Version: A2

## 一般資訊 / General Information

标题产品分类长叙述/Long description	PCB Connector – Socket, 3.81, 8A, 300V
产品类型/Category	PCB Connector – Socket
间距/ Pitch (mm)	3.81
产品标准颜色/ Color	Black
固定方式/ Type of locking	Without
焊接方式/Soldering Method	Reflow Soldering (245°C)
产品长度/ Length (mm)	3.81X(P-1)+4.8
产品宽度/ Width (mm)	9.2
产品高度/ Height (mm)	7.2
引脚尺寸(厚度___ x 宽度___)/ Pin dimensions(mm)	0.8*0.8
焊孔直径/ PCB hole diameter(mm)	1.4
产品点数/Number of poles	02~24

## 材料信息/ Material Information

绝缘材料/ Insulating material	HIGH-TEMPERATURE PLASTICS
绝缘材料组别 / Insulating material group	IIIa
阻燃等级,符合 UL94 / UL94 Flammability rating	V0
绝缘阻抗/ Insulation resistance	500MΩ at DC 500V
导体材料/Contact material	Copper Alloy
导体表面镀层/Contact surface	Tin Plated
湿度敏感等级/humidity sensitive grade	1

## IEC数据 / IEC Data

额定电压 / Rated Voltage (V)	320
额定电流 / Rated Current (A)	14
额定电压 (II/2) / Rated Voltage (II/2) (V)	320
额定电压 (III/2) / Rated Voltage (III/2) (V)	160
额定电压 (III/3) / Rated Voltage (III/3) (V)	160
额定冲击电压(II/2) / Rated Impulse Voltage (II/2)(Kv)	2.5
额定冲击电压(III/2) / Rated Impulse Voltage (III/2)(Kv)	2.5
额定冲击电压(III/3) / Rated Impulse Voltage (III/3)(Kv)	2.5

# ECH381R

 规格书编号/Specification File No.: **SF-ECH381R-001**

版本/Version: A2

## UL数据 / UL Data

额定电压 (UL/CUL 标准组 B 组)/Rated Voltage (UL/CUL B Group) (V)	300
额定电流 (UL/CUL 标准组 B 组)/Rated Current (UL/CUL B Group) (A)	8
额定电压 (UL/CUL 标准组 D 组)/ Rated Voltage (UL/CUL D Group) (V)	300
额定电流 (UL/CUL 标准组 D 组)/Rated Current (UL/CUL D Group) (A)	8

## 环境与安全/ Environmental and safety

手指防护(YES or NO) / Finger protection	NO
最高工作温度 / Max. operating temperature(°C)	+120 °C
最低工作温度 / Min. operating temperature(°C)	-40 °C

## 配件/Accessories

配件信息:	
防呆片 / Key Coding	ECHK1L

## 产品认证/许可/ Approvals



## UL Recognized

额定电流 B 组/Rated Current (A)	8
额定电压 B 组/Rated Voltage (V)	300
额定电流 D 组/Rated Current (A)	8
额定电压 D 组/Rated Voltage (V)	300

## CUL Recognized

额定电流 B 组/Rated Current (A)	8
额定电压 B 组/Rated Voltage (V)	300
额定电流 D 组/Rated Current (A)	8

# ECH381R

规格书编号/Specification File No.: **SF-ECH381R-001**

版本/Version: A2

---

额定电压 D 组/Rated Voltage (V)	300
----------------------------	-----

**VDE Approval** 

---

额定电流 / Rated Current (A)	14
额定电压 / Rated Voltage (V)	320