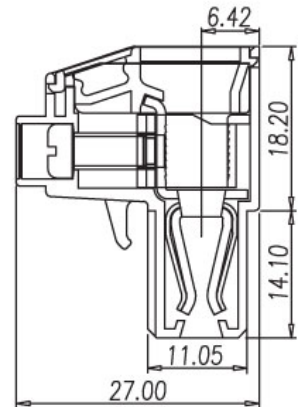
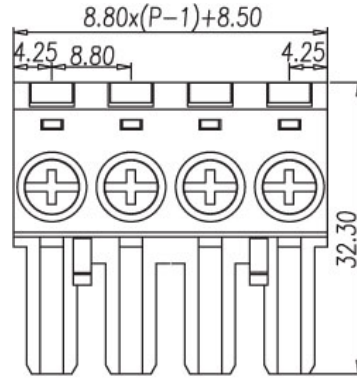


Plugs for pluggable terminal blocks / EC & ESD series



EC880V



Pitch: 8.80mm

Approval		
Technical Data	UL	IEC
Rated voltage	600V	750V
Rated current	30A	57A
Conductor cross-section, solid (AWG/ mm ²)	18~8 / 0.5~10	
Conductor cross-section, flexible (AWG/ mm ²)	18~8 / 0.5~10	
Rated surge voltage (UL/IEC/Max.)	2.2 / 3.5 / 5 KV	
Torque (N-m)	1.80	
Screw	M4	
Wire strip length	8~9mm	
Pole	Cat. No.	
02	EC880V-02P	
:	:	
:	:	
12	EC880V-12P	

TEL: +886-2-2908-0614

FAX: +886-2-2908-8549

E-mail: info@dinkle.com.tw