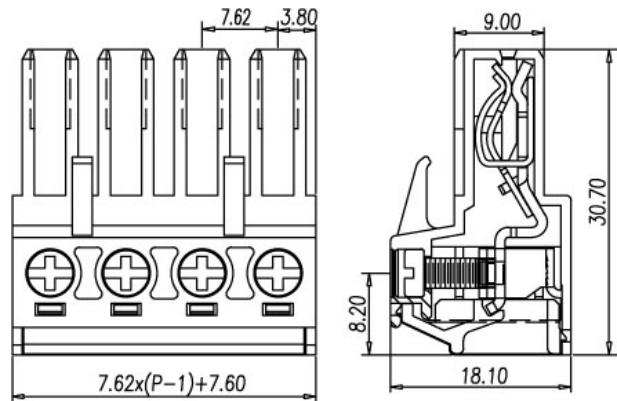
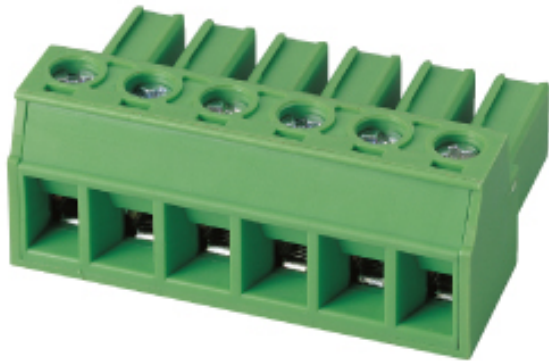


Plugs for pluggable terminal blocks / EC & ESD series



EC762V



Pitch: 7.62mm

Approval		
Technical Data	UL	IEC
Rated voltage	300V	800V
Rated current	30A	32A
Conductor cross-section, solid (AWG/ mm ²)	30~10 / 0.5~4	
Conductor cross-section, flexible (AWG/ mm ²)	30~10 / 0.5~4	
Rated surge voltage (UL/IEC/Max.)	1.6 / 3.5 / KV	
Torque (N-m)	0.69	
Screw	M3	
Wire strip length		
Pole	Cat. No.	
02	EC762V-02P	
:	:	
:	:	
12	EC762V-12P	

TEL: +886-2-2908-0614

FAX: +886-2-2908-8549

E-mail: info@dinkle.com.tw