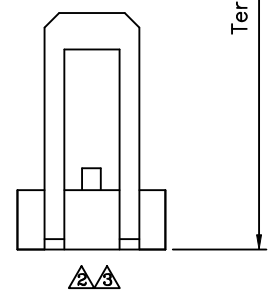
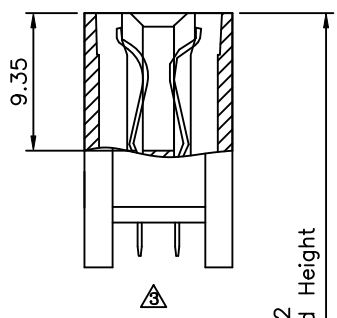
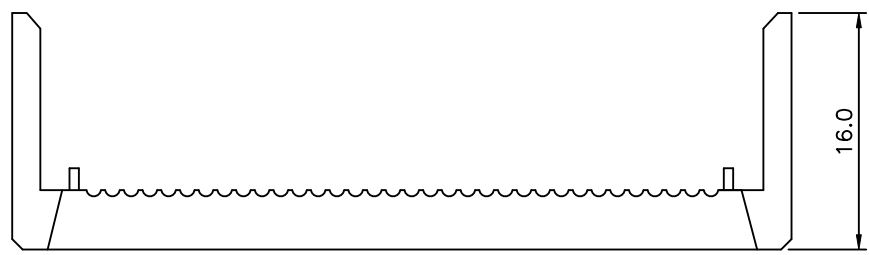
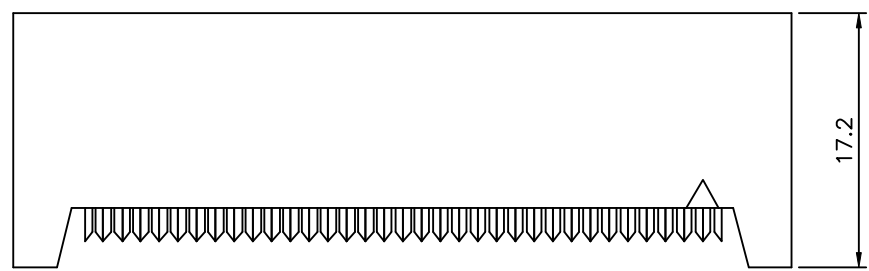
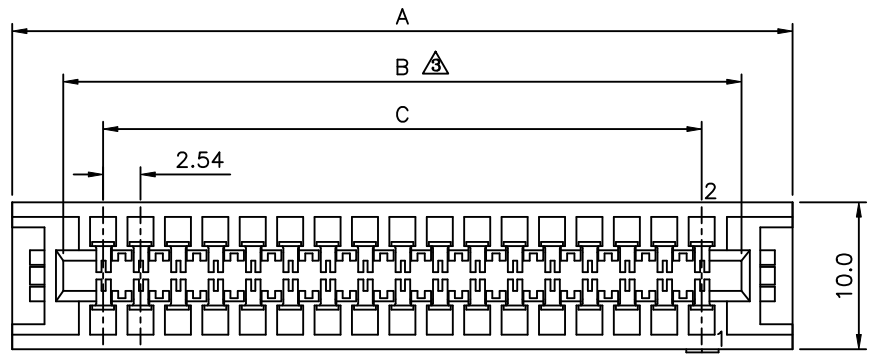


△ SPECIFICATION
 Current Rating:1 Amp
 Withstanding Voltage:500V AC For 1 Minute
 Insulation Resistance:3000 Megaohms Min.
△ Contact Resistance:30 Milliohms Max.
 Operation Temperature:-40°C~+105°C
 Insulator:PBT+G.F.(UL94V-0),Black
△ Contact:Brass,Selective Gold Plated Over Nickel
 RoHS Compliant

△ EC 20 XX - H
 (1) (2) (3) (4)
 (1) EC:2.54 Card Edge IDC Type
 (2) 20:Without S.R.
 (3) XX:No. Of Position
 (4) H:RoHS Compliant



Pin	A	B	C	Pin	A	B	C
10	22.36	15.50	10.16	44	65.54	58.68	53.34
14	27.44	20.58	15.24	50	73.16	66.30	60.96
16	29.98	23.12	17.78	56	80.78	73.92	68.58
20	35.06	28.20	22.86	60	85.86	79.00	73.66
26	42.68	35.82	30.48	62	88.40	81.54	76.20
34	52.84	45.98	40.64	64	90.94	84.08	78.74
40	60.46	53.60	48.26				

AUK A MEMBER OF AUK GROUP
太聯事業股份有限公司
AUK CONTRACTORS CO., LTD.

CATEGORY	APPROVED BY	UNLESS OTHERWISE SPECIFIED TOLERANCES ARE .X ±0.38 .XX ±0.25 ANG.
PART No. △△ EC20XX-H	MEI	
DRAWING No. EC20XX-H	CHECKED BY HZF	
SCALE NONE	DRAWING BY YBL	
REV.	A4	UNIT mm

△ A4	Modify Data	HZF	11/04/2013
△ A3	Modify P/N:EC20XX-SXX-H → EC20XX-H	HZF	12/31/2011
△ A2	Modify P/N:EC20XX EC20XX-SXX-H	HZF	09/16/2009
△ A1	Add Spec.	BECKY	09/14/2004
△ A0	NEW RELEASE		
NO.REV.	REVISIONS	CHK	DATE