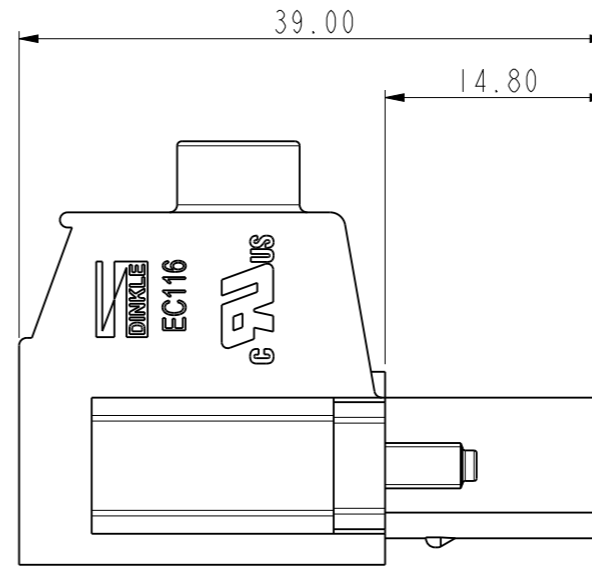
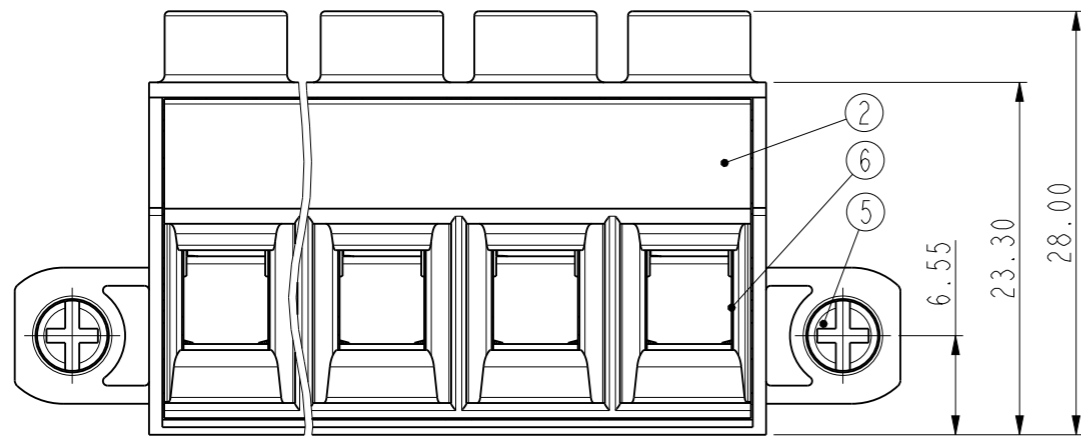
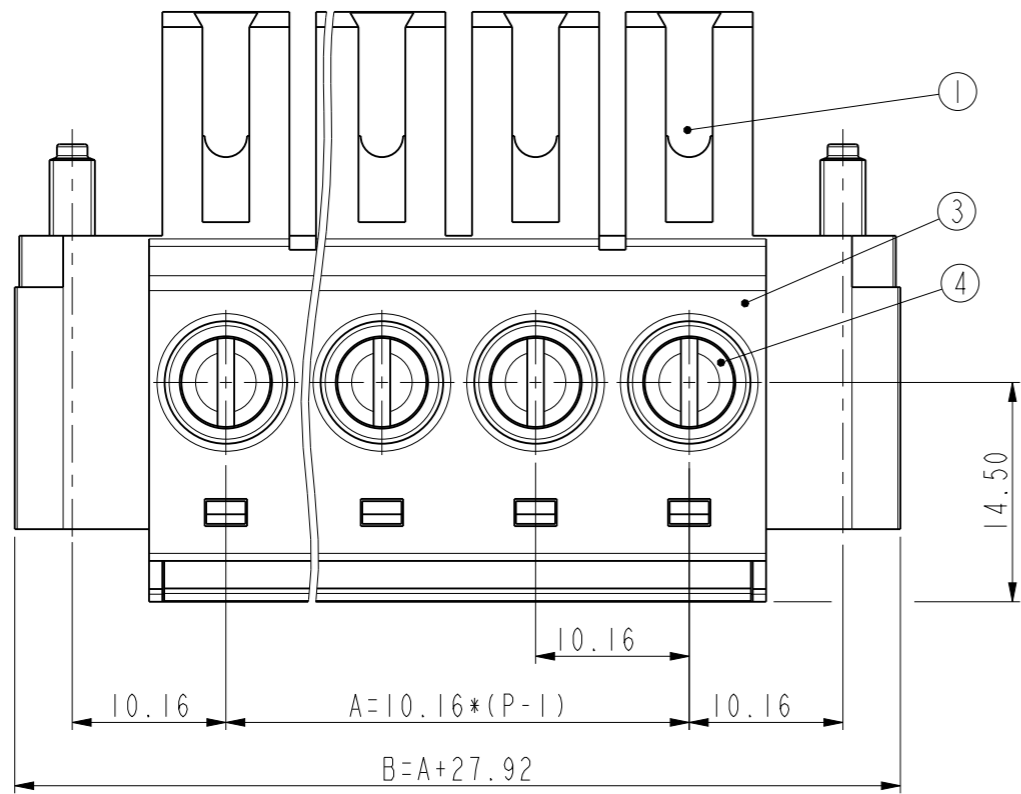
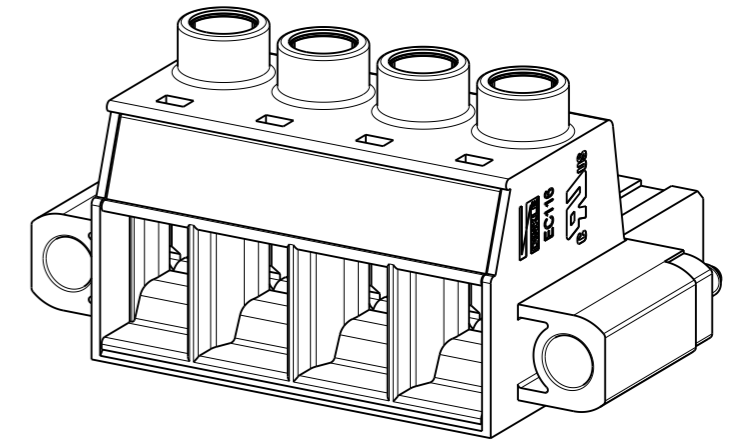


DINKLE has proprietary right to these drawings and specifications hereon, it shall not be reproduced or used as the basis for the manufacture of devices without permission. User should verify drawings are the most recent version.
Copyright © DINKLE Enterprise Co., Ltd. All Rights reserved.



Rated Voltage: 600V
Rated Current: 51A



PART NO. :

EC116VM-XXP-□□

POLES	COLOR
02: 2 POLES	BLANK: GREEN (STANDARD COLOR)
03: 3 POLES	BK: BLACK
...	RD: RED
08: 8 POLES	

EC116VM - series of terminals

ITEM	NAME OF PART	MATERIAL	NOTES
6	WIRE CAGE	STEEL	M4/ Zn Plated
5	SCREW2	STEEL	M3/ Zn Plated
4	SCREW	STEEL	M4/ Zn Plated
3	HOUSING	PA66	UL94-V0 GREEN
2	COVER	PA66	UL94-V0
1	CLAMP	COPPER ALLOY	Ag Plated

P	2	3	4	5	6	7	8
A	10.16	20.32	30.48	40.64	50.80	60.96	71.12
B	38.08	48.24	58.40	68.56	78.72	88.88	99.04

Total Pitch Tolerances		Normal dimension Tolerances	
0~30	±0.20	0~30	±0.25
over 30~53	±0.25	over 30~53	±0.30
over 53~70	±0.30	over 53~70	±0.35
over 70~90	±0.35	over 70~90	±0.44
over 90~115	±0.44	over 90~115	±0.55
over 115~150	±0.55	over 115~150	±0.70
over 150~200	±0.70	over 150~200	±0.85
over 200~250	±0.85	over 200~250	±1.00
over 250~320	±1.00	over 250~320	±1.20

V3	2				
REV.		CONTENT	DRW.	DATE	

DRW.	shy.Zhou	DATE	2023-07-24	GENERAL TOLERANCE	
CHK.	Mike.Li	DATE	2023-07-25	SPECIFICATION FILE	SF-EC116VM-001
APP.	Webb.Liu	DATE	2023-07-26	DRAWING TYPE	SP-03

PART NO. **EC116VM-XXP**

DINKLE ENTERPRISE CO., LTD.	UNITS	mm	THIRD ANGLE PROJECTION	
	SCALE	2:1	SHEET/OF	1/1

EC116VM

 规格书编号/Specification File No.: **SF-EC116VM-001**

版本/Version: A3

一般資訊 / General Information

产品长叙述/Long description	PCB Connector; Screw Connection; Pitch :10.16mm,M4, 600V ,51A
产品类型/Category	PCB Connector – Plug
间距/ Pitch (mm)	10.16
产品颜色/ Color	Refer to drawing
接线方式/Connection method	Screw Connection
固定方式/ Type of locking	With screw flange
产品长度/ Length (mm)	10.16*(P-1)+27.92
产品宽度/ Width (mm)	39
产品高度/ Height (mm)	28
电位数/Circuit diagram	2~8
产品点数/Number of poles	02P~08P
产品层数/Level	1
连接点数/Connection points	2~8

材料信息/ Material Information

绝缘材料/ Insulating material	PA66
绝缘材料组别 / Insulating material group	I
阻燃等级,符合 UL94 / UL94 Flammability rating	V0
绝缘阻抗/ Insulation resistance	≥500MΩ at DC 500V
导体材料/Contact material	COPPER ALLOY
导体表面镀层/Contact surface	Ag PLATED

IEC数据 / IEC Data

额定电压 / Rated Voltage (V)	1000
额定电流 / Rated Current (A)	76
额定电压 (II/2) / Rated Voltage (II/2) (V)	1000
额定电压 (III/2) / Rated Voltage (III/2) (V)	1000
额定电压 (III/3) / Rated Voltage (III/3) (V)	1000
额定冲击电压(II/2) / Rated Impulse Voltage (II/2)(kV)	8
额定冲击电压(III/2) / Rated Impulse Voltage (III/2)(kV)	8

EC116VM

 规格书编号/Specification File No.: **SF-EC116VM-001**

版本/Version: A3

额定冲击电压(III/3) / Rated Impulse Voltage (III/3)(kV)	8
最小硬质导线横截面积 / Conductor cross section solid. min (mm ²)	0.5
最大硬质导线横截面积 / Conductor cross section solid. max (mm ²)	16
最小柔性导线横截面积/ Conductor cross section stranded. min (mm ²)	0.5
最大柔性导线横截面积/ Conductor cross section stranded. max (mm ²)	16
柔性导线横截面积·最小的管状裸端子 / Conductor cross section flexible, with min ferrule without insulation (mm ²)	0.5
柔性导线横截面积·最大的管状裸端子 / Conductor cross section flexible, with max ferrule without insulation (mm ²)	16
柔性导线横截面积·最小的管状预绝缘端子 / Conductor cross section flexible, with min ferrule with insulation (mm ²)	0.5
柔性导线横截面积·最大的管状预绝缘端子 / Conductor cross section flexible, with max ferrule with insulation (mm ²)	10
具有相同截面积的二根最小硬质导线横截面积/ 2 conductors with same cross section, solid, min (mm ²)	0.5
具有相同截面积的二根最大硬质导线横截面积/ 2 conductors with same cross section, solid, max (mm ²)	6
具有相同截面积的二根最小柔性导线横截面积/ 2 conductors with same cross section, stranded, min (mm ²)	0.5
具有相同截面积的二根最大柔性导线横截面积/ 2 conductors with same cross section, stranded, max (mm ²)	6
具有相同截面积的二根柔性导线·最小管状裸端子 / 2 conductors with same cross section flexible, with min ferrule without insulation (mm ²)	0.5
具有相同截面积的二根柔性导线·最大的管状裸端子 / 2 conductors with same cross section flexible, with max ferrule without insulation (mm ²)	4
具有相同截面积的二根柔性导线·最小双线管状预绝缘端子 / 2 conductors with same cross section flexible, min ferrule with insulation for double wire (mm ²)	0.5
具有相同截面积的二根柔性导线·最大的双线管状预绝缘端子 / 2 conductors with same cross section flexible, max ferrule with insulation for double wire (mm ²)	6

UL数据 / UL Data

额定电压 (UL/CUL 标准 B 组)/Rated Voltage (UL/CUL Group B)(V)	600
额定电流 (UL/CUL 标准 B 组)/Rated Current (UL/CUL Group B) (A)	51
额定电压 (UL/CUL 标准 C 组)/Rated Voltage (UL/CUL Group C)(V)	600
额定电流 (UL/CUL 标准 C 组)/Rated Current (UL/CUL Group C) (A)	51
额定电压 (UL/CUL 标准 D 组)/ Rated Voltage (UL/CUL Group D)(V)	600
额定电流 (UL/CUL 标准 D 组)/Rated Current (UL/CUL Group D) (A)	5
最小导线, 符合 UL/CUL / Min. wire connection acc. to UL/CUL(AWG)	16
最大导线, 符合 UL/CUL /Max. wire connection acc. to UL/CUL(AWG)	6
最小硬质导线, 符合 UL/CUL/ Min. solid wire connection acc. to UL/CUL(AWG)	16
最大硬质导线, 符合 UL/CUL/ Max. solid wire connection acc. to UL/CUL(AWG)	6

通用参数 / General Data

EC116VM

 规格书编号/Specification File No.: **SF-EC116VM-001**

版本/Version: A3

螺纹规格 / Screw thread	M4
螺丝刀规格/Screwdriver size	1x5.5
最小扭矩 / Tightening torque Min (N.m)	1.2
最大扭矩 / Tightening torque Max (N.m)	1.5
法兰最大扭矩 /Tightening flange torque Max (N.m)	0.5
剥线长度 / Stripping Length (mm)	14~15

环境与安全/ *Environmental and safety*

手指防护(YES or NO) / Finger protection	YES
最高工作温度 / Operating temperature max.(°C)	120
最低工作温度 / Operating temperature min. (°C)	-40

配件/Accessories

KEY CODE	ECHK2
----------	-------

产品认证/许可/ *Approvals*



UL Recognized

线径范围 B 组/Wire Range (Group B) (AWG)	16~6
额定电压 B 组/Rated Voltage (Group B) (V)	600
额定电流 B 组/Rated Current (Group B) (A)	51
线径范围 C 组/Wire Range (Group C) (AWG)	16~6
额定电压 C 组/Rated Voltage(Group C) (V)	600
额定电流 C 组/Rated Current(Group C) (A)	51
线径范围 D 组/Wire Range (Group D) (AWG)	16~6
额定电压 D 组/Rated Voltage(Group D) (V)	600
额定电流 D 组/Rated Current(Group D) (A)	5

EC116VM

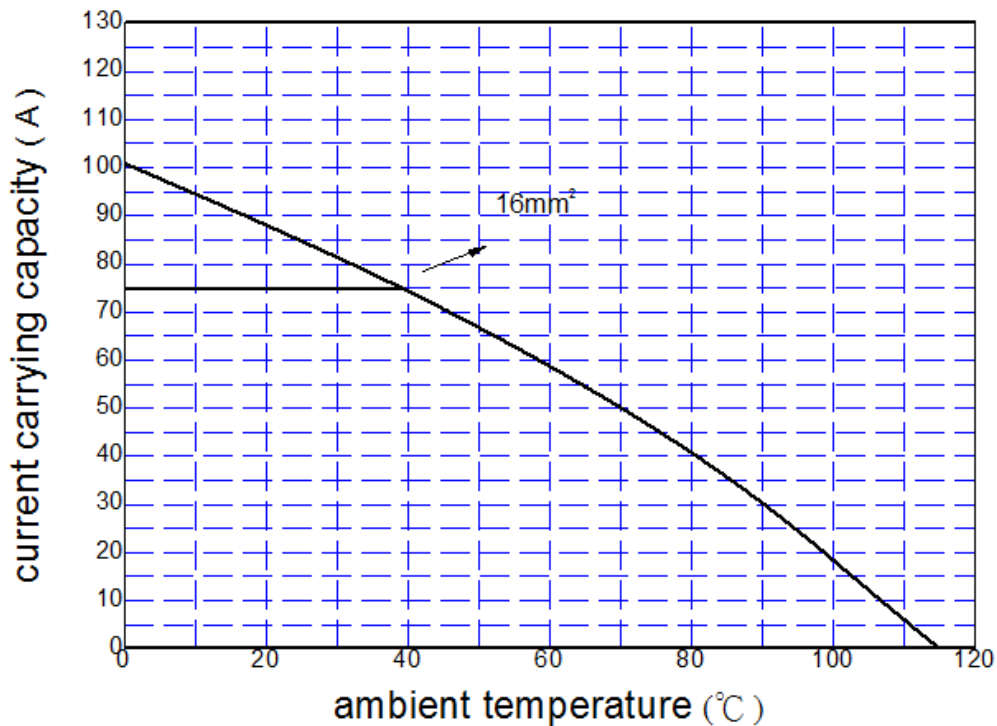
规格书编号/Specification File No.: **SF-EC116VM-001**

版本/Version: A3

CUL Recognized

线径范围 B 组/Wire Range (Group B) (AWG)	16~6
额定电压 B 组/Rated Voltage (Group B) (V)	600
额定电流 B 组/Rated Current (Group B) (A)	51
线径范围 C 组/Wire Range (Group C) (AWG)	16~6
额定电压 C 组/Rated Voltage(Group C) (V)	600
额定电流 C 组/Rated Current(Group C) (A)	51
线径范围 D 组/Wire Range (Group D) (AWG)	16~6
额定电压 D 组/Rated Voltage(Group D) (V)	600
额定电流 D 组/Rated Current(Group D) (A)	5

降额曲线图 / Derating Curve



Reduction factor=0.8