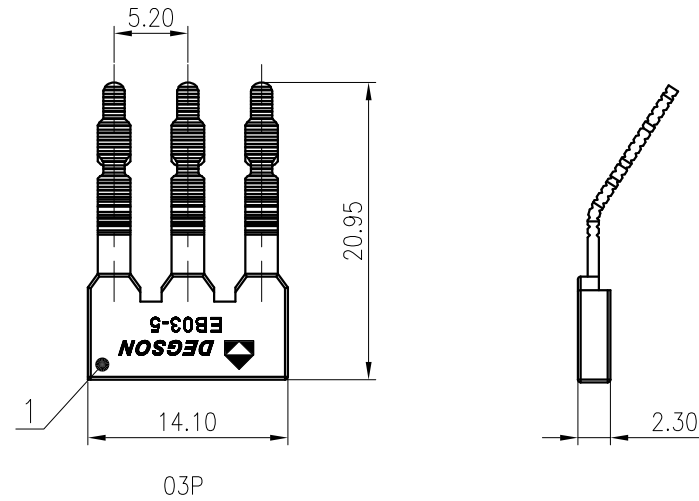
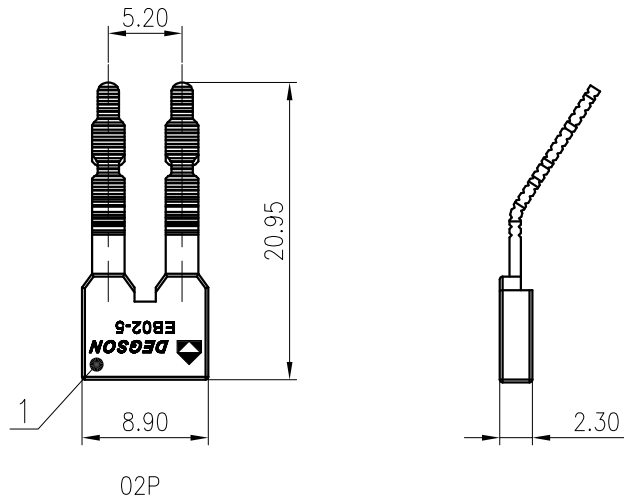


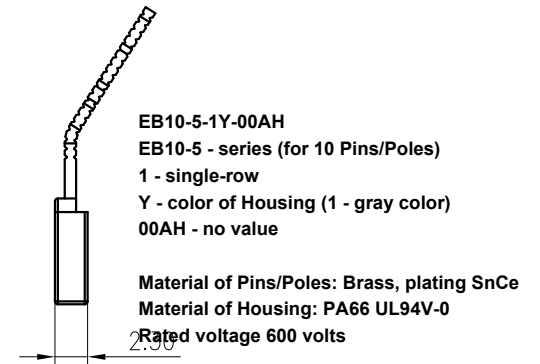
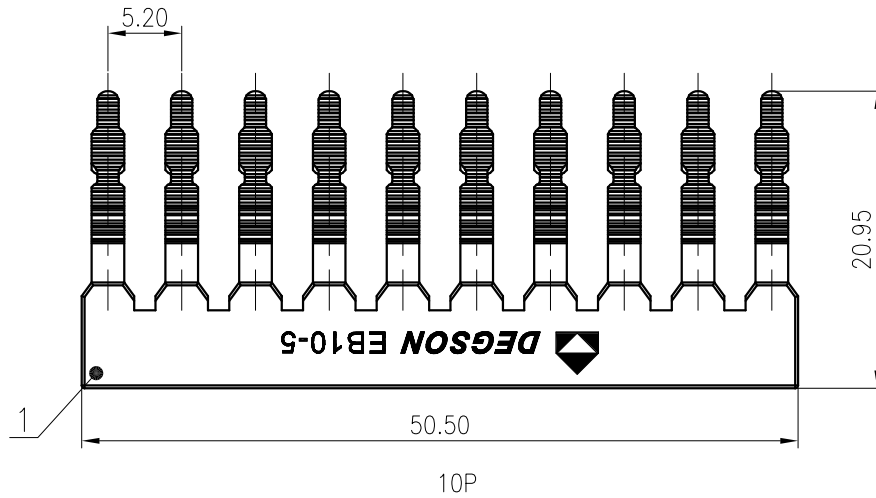
未注公差/General tolerances(mm)													0.1/10
0	>3	>6	>10	>18	>30	>50	>80	>120	>180	>250	>315	>400	
~3	~6	~10	~18	~30	~50	~80	~120	~180	~250	~315	~400	~500	>500
±0.12	±0.18	±0.22	±0.26	±0.31	±0.37	±0.57	±0.80	±0.93	±1.05	±1.15	±1.60	±2.20	±2.50

A



B

C



D

1	Bridge		
ITEM	NAME OF PART	MATERIAL	NOTES
	间距/Pitch(mm)/线数范围/Poles	5.2/N=02P,03P,10P	
	使用温度范围/Operating temperature(°C)	-40~+105	
	符合RoHS环保要求/Conform to RoHS	Yes	

REV	ECN	DESCRIPTION	DRFT	DATE

MATERIAL: /	SURFACE: /						
MAT NO.: /	宁波高松电子有限公司 NINGBO DEGSON ELECTRICAL CO., LTD						
STATUS: /							
APPD: Li GL 2020.06.10	NAME: EBXX-5-1Y-00A(H)						
CHKD: Mao J 2020.06.10	DRAWING NO.: EBXX-5-C01						
DRFT: Chen K 2020.06.03	REV	TO					
SIZE: A4 <table border="0"> <tr> <td>← mm</td> <td>→</td> </tr> <tr> <td>(inch)</td> <td></td> </tr> </table>	← mm	→	(inch)		TYPE: CUSTOMER DRAWING	SCALE: 2:1	SHEET 1/1
← mm	→						
(inch)							

1

2

3

4

5

6