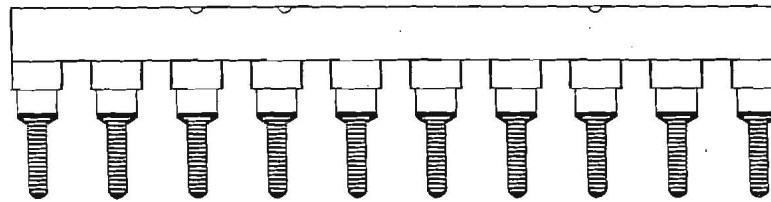
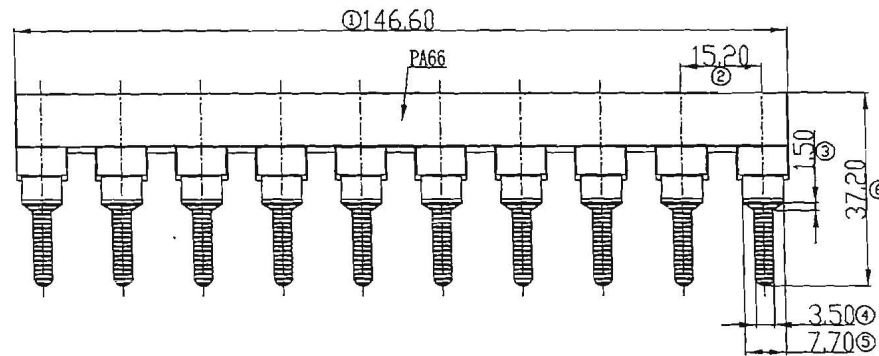


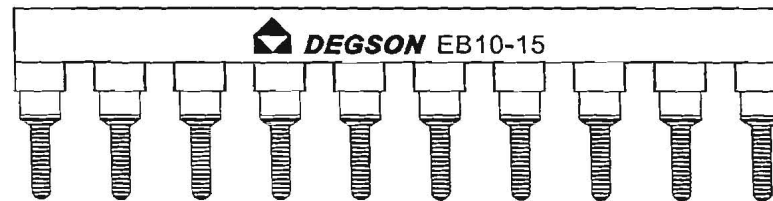
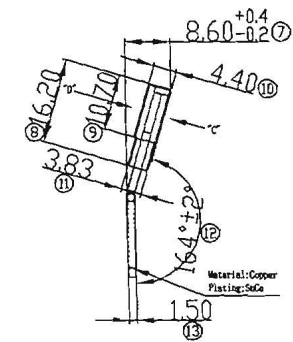
REVISION RECORD				
REV	ECN	DESCRIPTION	DRFT	DATE



C向视图



D向视图



文管中心
 研发专用
 2014.07.21
 (仅限内部使用, 对外无效)

Notes:

1. Undimensioned Tolerances:

Pitch range in mm			Nominal dimension range in mm					
to	over	over	to	over	over	over	over	
6	6 to 10	10 to 24	30	30 to 60	60 to 100	100 to 150	150	
±0.10	±0.15	±0.25	±0.2	±0.3	±0.5	±0.7	±1.0	0.05/0

1	EB10-15-Wrap Housing	6013LOY10A(H)	1	PA66	UL94V-0
ITEM	NAME OF PART	NO. OF PART	Q'TY	MATERIAL	NOTES
MM (CINCP)	DATE 03/04/09	DATE 03/04/09	DATE 03/04/09	DATE 03/04/09	DATE 03/04/09
TOLERANCES EXCEPT AS NOTED					
MM	APPVL	DATE	MATERIAL :		
0.1 ±	Hang	03/04/09	DEGSON 宁波高正电子有限公司 DEGSON ELECTRONICS CO., LTD		
0.2 ±			NAME		
0.3 ±			EB10-15-1Y-00A(H)		
0.5 ±			DRAWING NO. EB10-15-E01		
0.8 ±			/PART NO.		
1.0 ±			SCALE: 1:1		
1.5 ±			DO NOT SCALE DRAWING		
2.0 ±			SHEET 1 OF 1		