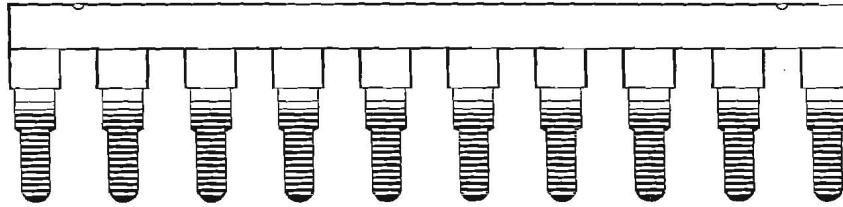
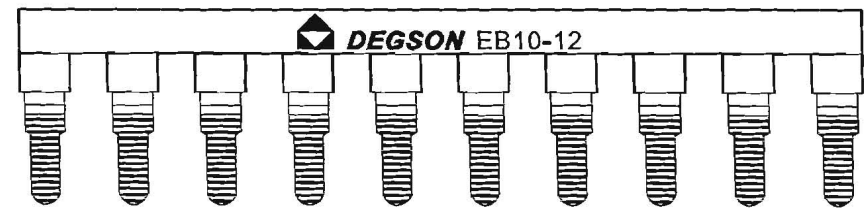
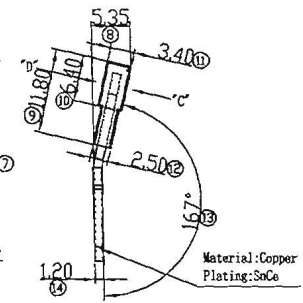
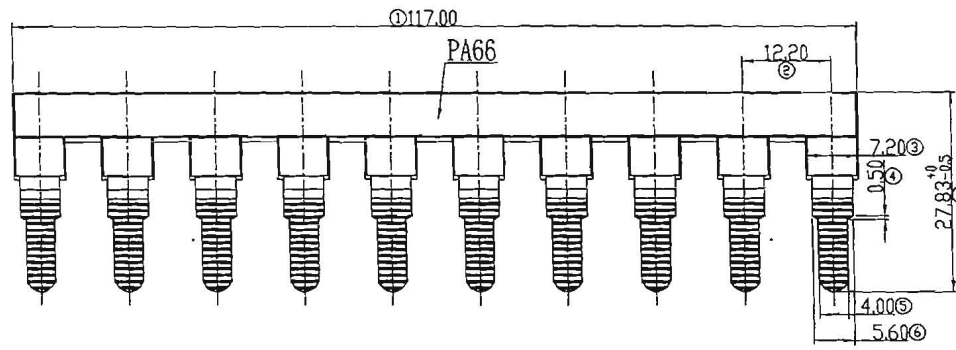


REVISION RECORD				
REV	ECN	DESCRIPTION	DRFT	DATE



C向视图



D向视图

文管中心
研发专用
2014.07.21
(仅限内部使用, 对外无效)

Notes:

1. Undimensioned Tolerances:

Pitch range in mm		Nominal dimension range in mm						
	over	over		over	over	over	over	
to	6	10	to	30	60	100	150	⌒
6	to	to	to	to	to	to	to	◇
	10	24	30	60	100	150		
	±0.10	±0.15	±0.25	±0.2	±0.3	±0.5	±0.7	±1.0
								0.05/10

1	EB10-12-Wrap Housing	6009LOY10A(H)	1	PA66	UL94V-0
ITEM	NAME OF PART	NO. OF PART	Q'TY	MATERIAL	NOTES
	MM (CINCH)	DATE 03/04/09			
	CHKD 4/7	DATE 9/20/07			
	MFG	DATE			
	APPVL Haug	DATE 01/20/07			
	MATERIAL :				
	ANGLES ± 1°	G.E :			
	FINISH:				
	THIRD ANGLE PROJECTION	SCALE 1:1			
DETAACHED LISTS			NAME		
			EB10-12-1Y-00A(H)		
			DRAWING NO. EB10-12-E01		
			/PART NO.		
			SIZE A3	REV TO 09/20/09	
			DO NOT SCALE DRAWING		
			SHEET 1 OF 1		