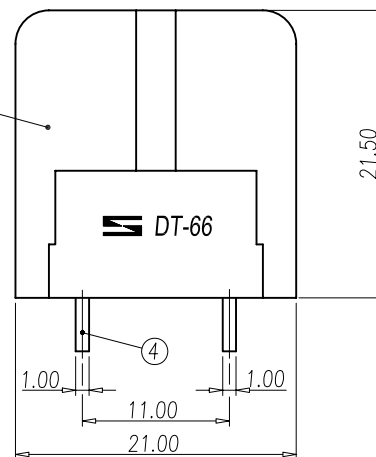
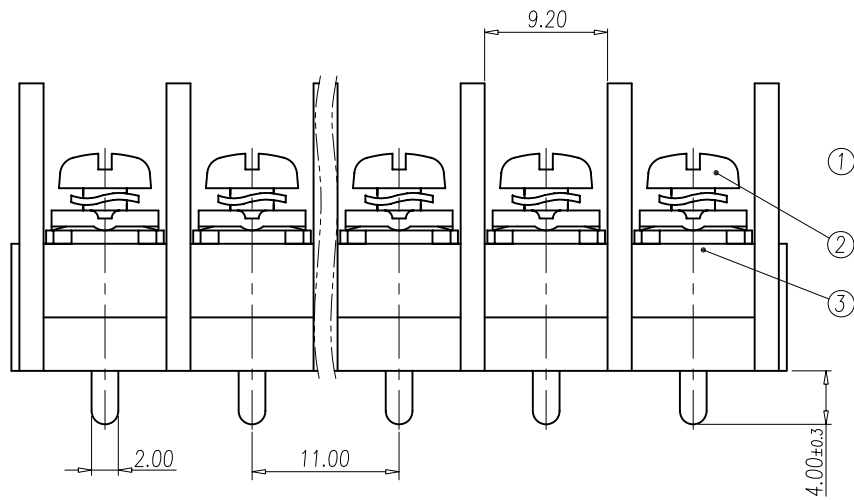


P.C.B. LAYOUT(REF)



NOTES:

1. Rating: 600V 40A
PITCH: 11.00 mm
2. Insulation Withstands Voltage:
AC 2000V at 1 minute
3. Insulation Resistance:
1000MΩ or more at DC500V
4. Using Temperature Range:
-40°C~+130°C
5. Screw Torque Value: 1.75N·m
6. Suitable Electric Wire: AWG 18~8
7. RoHS Compliance

series: DT-66-B01W

Normal Geometric Tolerancing			
	—	//	⊥
0 to 100	0.2		0 to 10
over 100 to 150	0.3	0.3	over 10
over 150	0.5		0.3
Total Pitch Tolerances		Normal dimension Tolerances	
0<U<=30	±0.20	0~30	±0.25
30<U<=53	±0.25	over 30~53	±0.30
53<U<=70	±0.30	over 53~70	±0.35
70<U<=90	±0.35	over 70~90	±0.44
90<U<=115	±0.44	over 90~115	±0.55
115<U<=150	±0.55	over 115~150	±0.70
150<U<=200	±0.70	over 150~200	±0.85
200<U<=250	±0.85	over 200~250	±1.00
250<U<=320	±1.00	over 250~320	±1.20

P	2	3	4	5	6	7	8	9	10	11	12	13	14
U	11.00	22.00	33.00	44.00	55.00	66.00	77.00	88.00	99.00	110.0	121.0	132.0	143.0
V	25.00	36.00	47.00	58.00	69.00	80.00	91.00	102.0	113.0	124.0	135.0	146.0	157.0
P	15	16	17	18	19	20	21	22	23	24	25	26	
U	154.0	165.0	176.0	187.0	198.0	209.0	220.0	231.0	242.0	253.0	264.0	275.0	
V	168.0	179.0	190.0	201.0	212.0	223.0	234.0	245.0	256.0	267.0	278.0	289.0	

ITEM	NAME OF PART	MATERIAL	NOTES
4	SOLDER PIN	COPPER ALLOY	TIN PLATED
3	NUT	STEEL	Zn PLATED
2	SCREW	STEEL	M4 NI PLATED
1	HOUSING	PBT	UL94-V0 BLACK

DWG.	ZYJ	DATE	11.04.12	UNITS	MM	SHEET/OF	1/1
CHK.		DATE		SCALE	2.5:1	⊕	
APP.		DATE		NAME	DT-66-B01W-XX		
				DWG NO.	SP-03-DT66B01W		

REV.	CONTENT	CHK.	DATE
2			